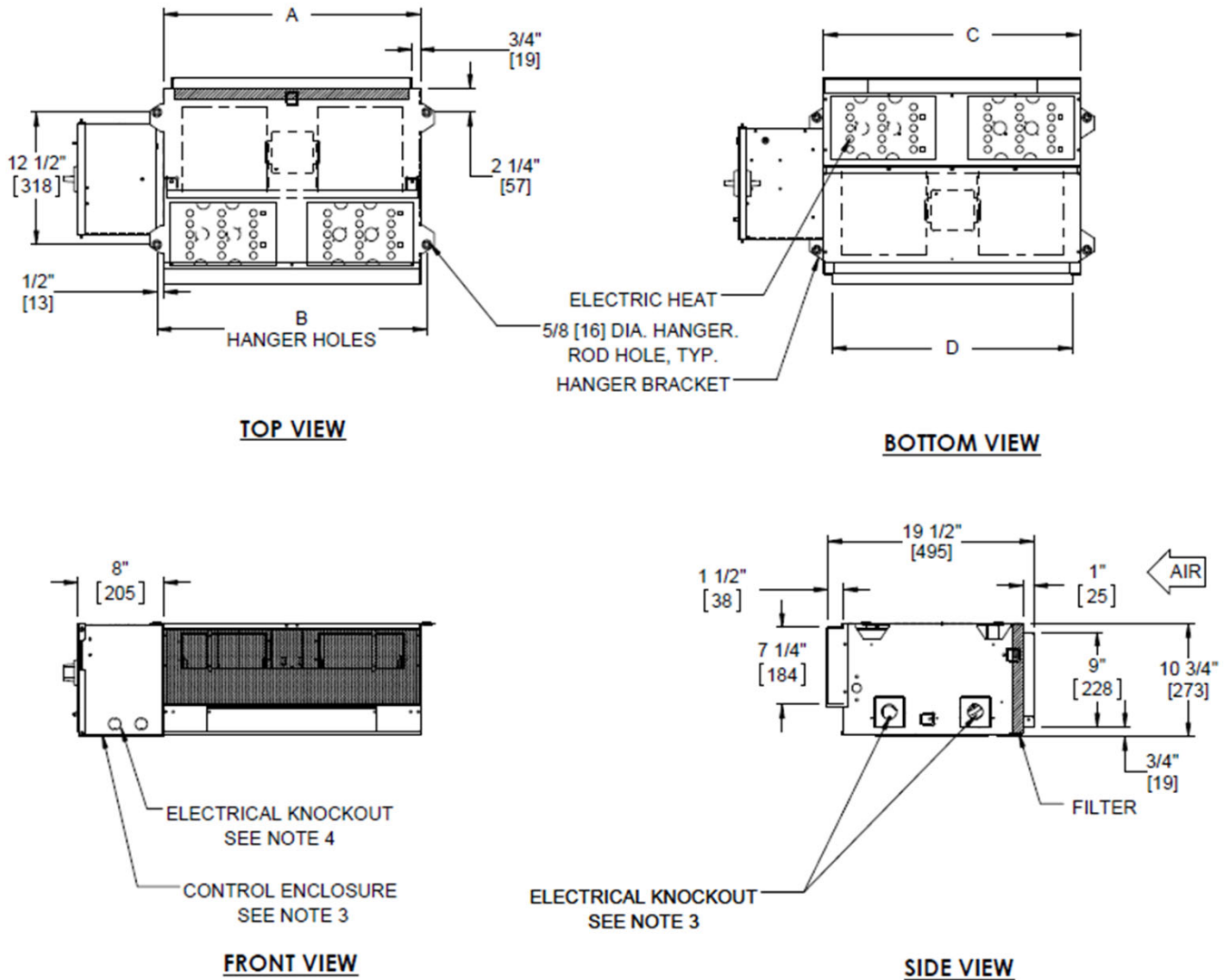


THBP Series A

Horizontal Low Profile Plenum Return (Electric Heat Only)



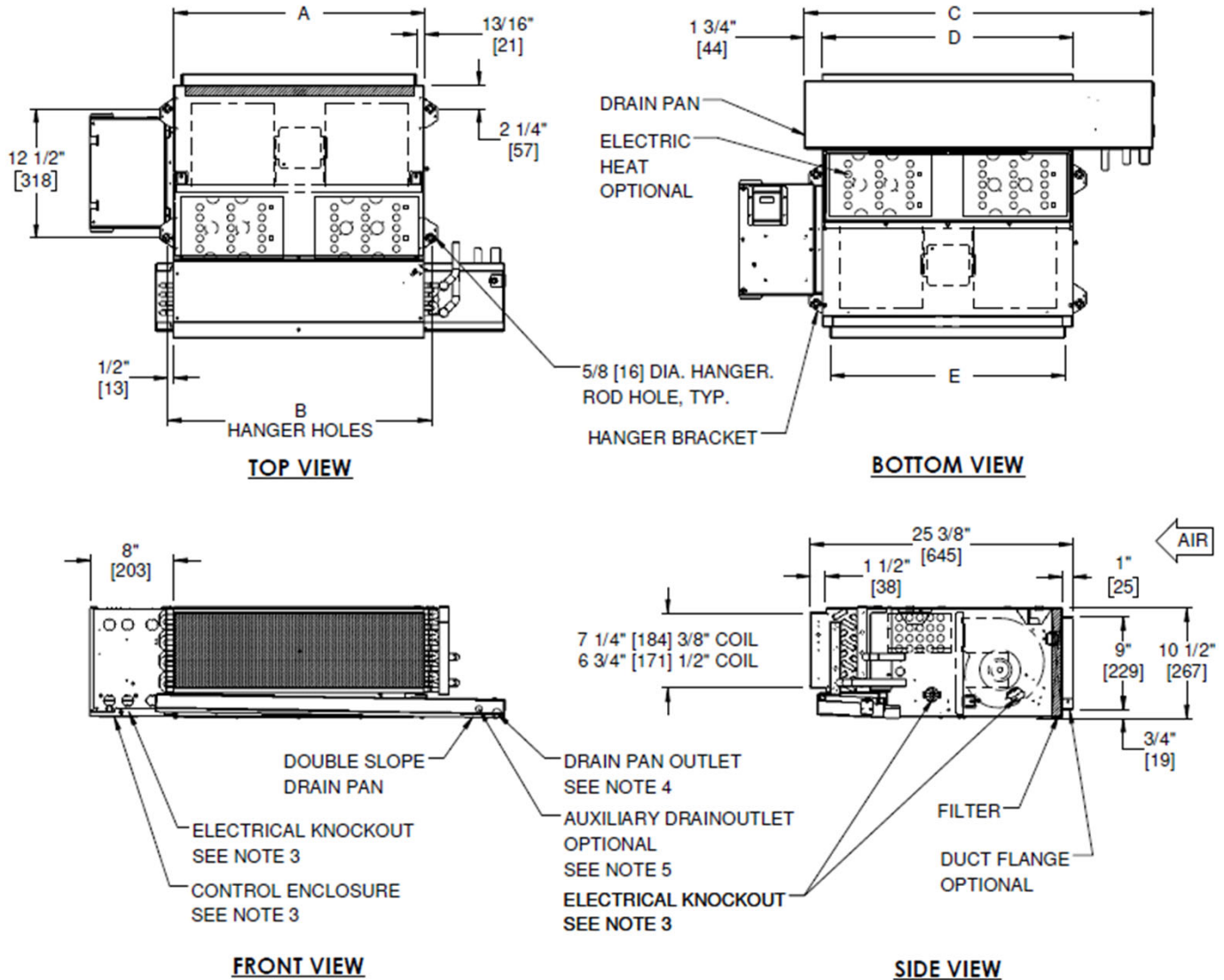
DIMENSIONS				
UNIT SIZE	A	B	C	D
02	16" [406]	17 1/4" [438]	16" [406]	13 3/16" [335]
03	19 1/4" [489]	20 1/2" [521]	19 1/4" [489]	16 7/16" [418]
04	24 1/4" [616]	25 7/16" [646]	24 1/4" [616]	22 11/16" [576]
06	31" [787]	32 1/4" [819]	31" [787]	29 7/16" [748]
08	38" [965]	39 1/4" [997]	38" [965]	36 7/16" [925]
09	42 1/4" [1073]	43 5/16" [1100]	42 1/4" [1073]	40 1/2" [1029]
10	52" [1321]	53 1/4" [1353]	52" [1321]	50 7/16" [1281]
12	60" [1524]	60 1/4" [1530]	60" [1524]	57 1/2" [1461]

NOTES:

1. All dimensions in Inches [millimeters]. All dimensions +/- 1/4" [6mm]. Metric values are soft conversion.
2. Left hand unit shown, right hand unit opposite.
3. Standard control enclosure is mounted on unit side opposite cooling coil connections. Unit casing includes (2) knockouts on each side. Provide sufficient clearance to access electrical controls and comply with applicable codes and ordinances.

THBP Series A

Horizontal Low Profile Plenum Return (Electric Heat/Cooling & Heating)



FRONT VIEW

SIDE VIEW

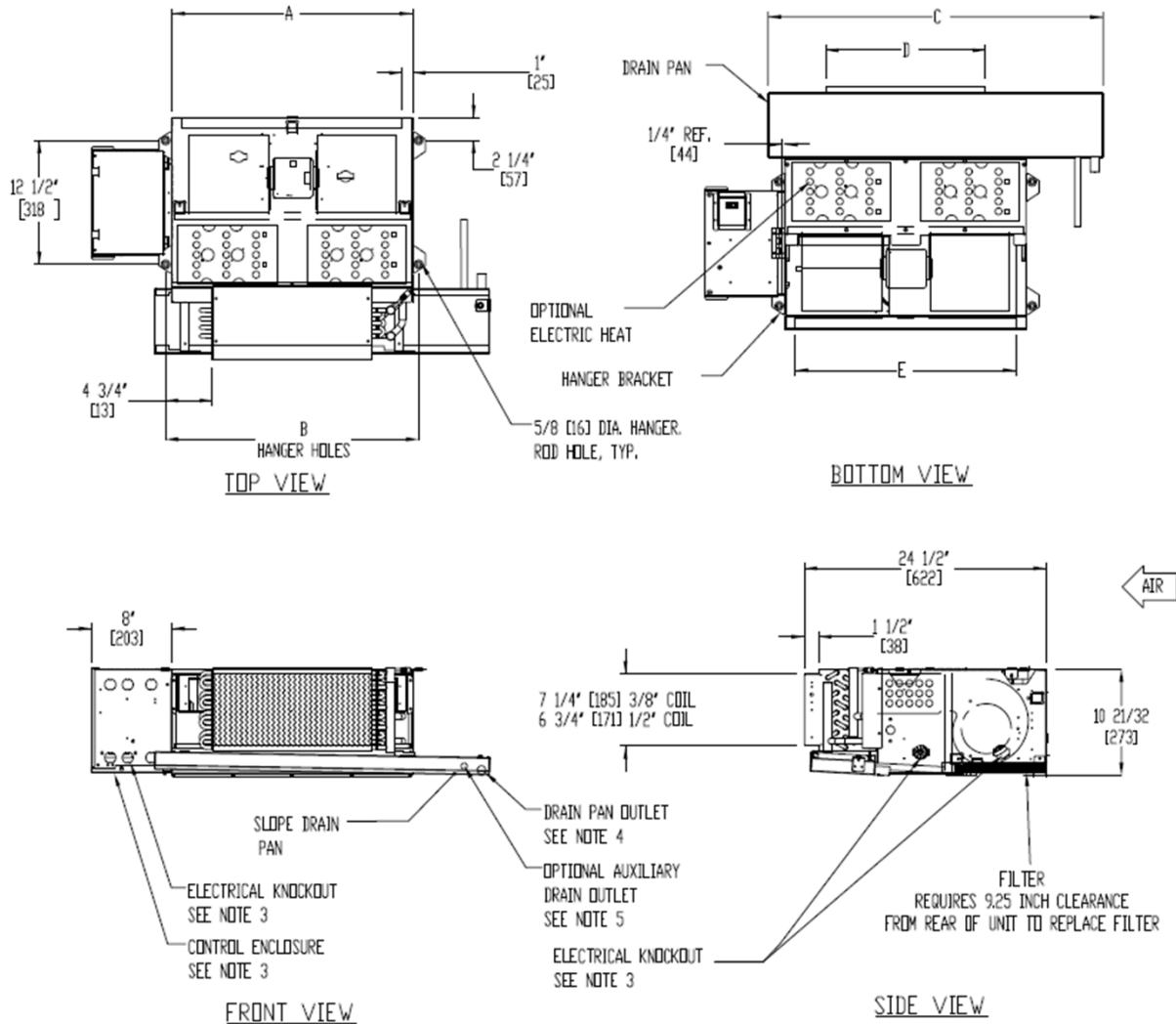
DIMENSIONS					
UNIT SIZE	A	B	C	D	E
02	16" [406]	17 1/4" [438]	25 1/2" [648]	16" [406]	14 3/8" [365]
03	19 1/4" [489]	20 1/2" [521]	28 3/4" [730]	19 1/4" [489]	17 5/8" [448]
04	24 1/4" [616]	25 1/2" [648]	33 3/4" [857]	24 1/4" [616]	22 5/8" [575]
06	31" [787]	32 1/4" [819]	40 1/2" [1029]	31" [787]	29 3/8" [746]
08	38" [965]	39 1/4" [997]	47 1/2" [1206]	38" [965]	36 3/8" [924]
09	42 1/4" [1073]	43 1/2" [1105]	51 3/4" [1314]	42 1/4" [1073]	40 5/8" [1032]
10	52" [1321]	53 1/4" [1353]	61 1/2" [1562]	52" [1321]	50 3/8" [1280]
12	60" [1524]	61 1/4" [1556]	69 1/2" [1765]	60" [1524]	58 3/8" [1483]

NOTES:

- All dimensions in Inches [millimeters]. All dimensions +/- 1/4" [6mm]. Metric values are soft conversion.
- Left hand unit shown, right hand unit opposite.
- Standard control enclosure is mounted on unit side opposite cooling coil connections. Unit casing includes (6) knockouts on each side. Provide sufficient clearance to access electrical controls and comply with applicable codes and ordinances.
- Standard externally foam coated galvanized steel drain pan has 7/8" ODM copper outlet. Stainless steel drain pan has 3/4" MPT galvanized steel outlet.
- Standard galvanized steel aux. drain pan has 5/8" ODM copper outlet. Stainless steel aux. drain pan has 3/8" MPT galvanized steel outlet.
- See coil connection drawings for coil connection sizes and locations.

THBP Series A

Horizontal Low Profile Plenum Return (Electric Heat/Cooling & Heating)



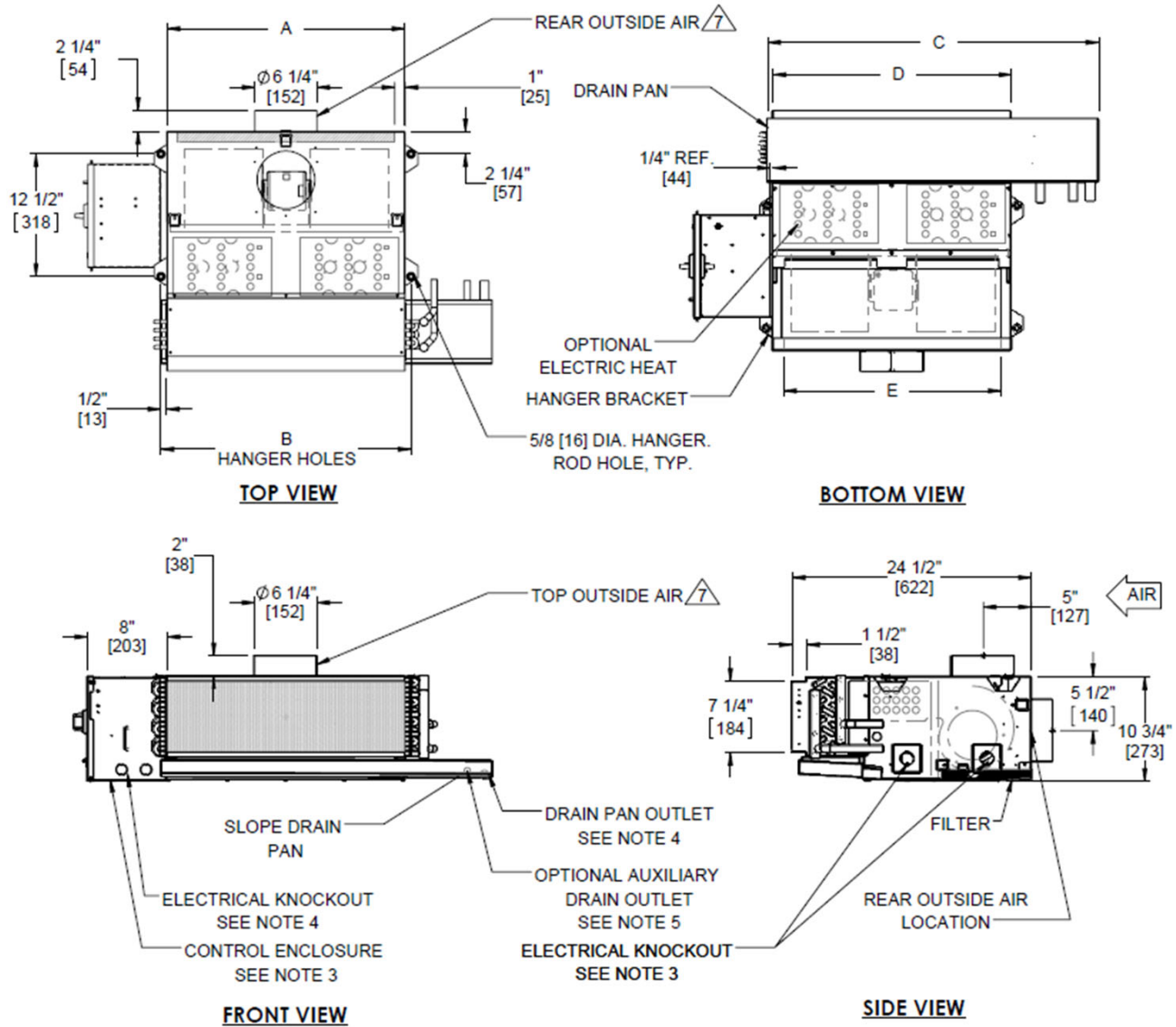
Unit Size	Dimensions									
	A		B		C		D		E	
	in	mm	in	mm	in	mm	in	mm	in	mm
02	16	406	17 1/4	438	25 1/4	641	16	406	13 3/16	335
03	19 1/4	489	20 1/2	521	28 1/2	724	19 1/4	489	16 7/16	418
04	24 1/4	616	25 1/2	648	33 1/2	851	24 1/4	616	22 11/16	576
06	31	787	32 1/4	819	40 1/4	1022	31	787	29 7/16	748
08	38	965	39 1/4	997	47 1/4	1200	38	965	36 7/16	925
09	42 1/4	1073	43 1/2	1105	51 1/2	1308	42 1/4	1073	40 1/2	1029
10	52	1321	53 1/4	1353	61 1/4	1556	52	1321	50 7/16	1281
12	60	1524	60 1/4	1530	69 1/4	1759	60	1524	57 1/2	1461

NOTES:

- All dimensions in Inches [millimeters]. All dimensions +/- 1/4" [6mm]. Metric values are soft conversion.
- Left hand unit shown, right hand unit opposite.
- Standard control enclosure is mounted on unit side opposite cooling coil connections. Unit casing includes (6) knockouts on each side. Provide sufficient clearance to access electrical controls and comply with applicable codes and ordinances.
- Standard externally foam coated galvanized steel drain pan has 7/8" ODM copper outlet. Stainless steel drain pan has 3/4" MPT galvanized steel outlet.
- Auxiliary drain outlet is 5/8" ODM copper outlet. Stainless steel aux. drain pan has 3/8" MPT galvanized steel outlet.
- See coil connection drawings for coil connection sizes and locations.

THBP Series A

Horizontal Low Profile Plenum Return (OAI – Outside Air Intake)



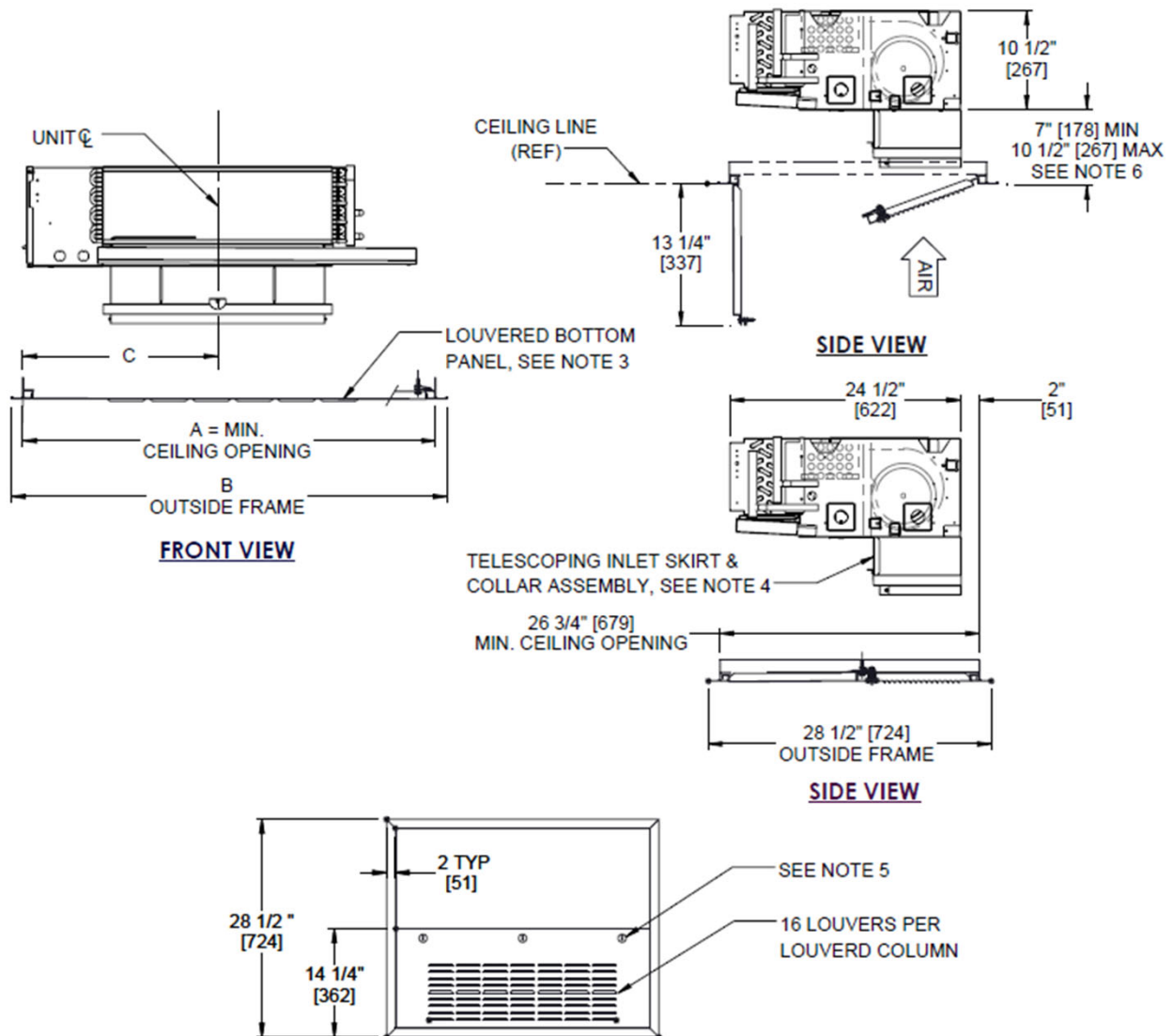
DIMENSIONS					
UNIT SIZE	A	B	C	D	E
02	16" [406]	17 1/4" [438]	25 1/4" [641]	16" [406]	13 3/16" [335]
03	19 1/4" [489]	20 1/2" [521]	28 1/2" [724]	19 1/4" [489]	16 7/16" [418]
04	24 1/4" [616]	25 1/2" [648]	33 1/2" [851]	24 1/4" [616]	22 11/16" [576]
06	31" [787]	32 1/4" [819]	40 1/4" [1022]	31" [787]	29 7/16" [748]
08	38" [965]	39 1/4" [997]	47 1/4" [1200]	38" [965]	36 7/16" [925]
09	42 1/4" [1073]	43 1/2" [1105]	51 1/2" [1308]	42 1/4" [1073]	40 1/2" [1029]
10	52" [1321]	53 1/4" [1353]	61 1/4" [1556]	52" [1321]	50 7/16" [1281]
12	60" [1524]	60 1/4" [1530]	69 1/4" [1759]	60" [1524]	57 1/2" [1461]

NOTES:

- All dimensions in Inches [millimeters]. All dimensions $\pm 1/4"$ [6mm]. Metric values are soft conversion.
- Left hand unit shown, right hand unit opposite.
- Standard control enclosure is mounted on unit side opposite cooling coil connections. Unit casing includes (2) knockouts on each side. Provide sufficient clearance to access electrical controls and comply with applicable codes and ordinances.
- Standard externally foam coated galvanized steel drain pan has 7/8" ODM copper outlet. Stainless steel drain pan has 3/4" MPT galvanized steel outlet.
- Aux. drain outlet is 5/8" ODM copper or 3/8" MPT galvanized steel respectively.
- See coil connection drawings for coil connection sizes and locations.
- Either Top or Bottom outside air available for bottom return only.

THBP Series A

Horizontal Low Profile Plenum Return (Telescoping Panel)



DIMENSIONS			
UNIT SIZE	A	B	C
02	38 1/4" [972]	40 1/4" [1022]	19 1/8" [486]
03	41 1/2" [1054]	43 1/2" [1105]	20 3/4" [527]
04	46 1/2" [1181]	48 1/2" [1232]	23 1/4" [591]
06	53 1/4" [1353]	55 1/4" [1403]	26 5/8" [676]
08	60 1/4" [1530]	62 1/4" [1581]	30 1/8" [765]
09	64 1/2" [1638]	66 1/2" [1689]	32 1/4" [819]
10	74 1/4" [1885]	76 1/4" [1937]	37 1/8" [943]
12	82 1/4" [2089]	84 1/4" [2140]	41 1/8" [1045]

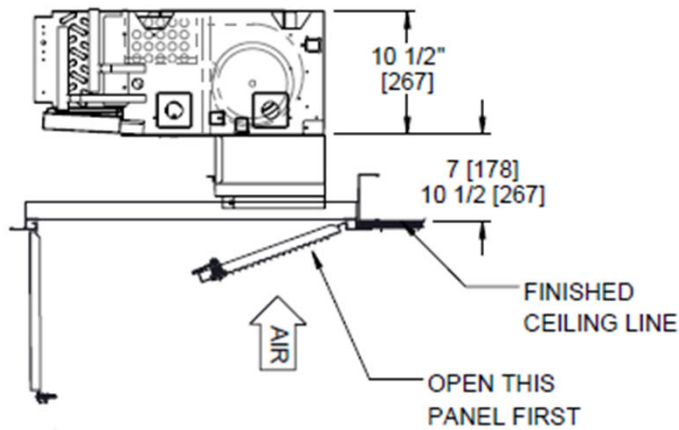
BOTTOM VIEW

NOTES:

1. All dimensions in Inches [millimeters]. All dimensions $\pm 1/4"$ [6mm]. Metric values are soft conversion.
2. Left hand unit shown, right hand unit opposite.
3. Portions of the inlet louver not directly below unit inlet may require covering in the field on applications where infiltration of ceiling plenum air into space is undesired.
4. Telescoping skirt and collar assembly must be field adjusted to assure a proper fit between filter frame and louvered inlet panel assembly.
5. 1/4 Turn latch, (2) qty for standard sizes, (3) qty for sizes 10-12.
6. Please reference the external feature space requirements submittal for complete service space requirements. Service access may be limited based on the panels are installed in relation to the unit.

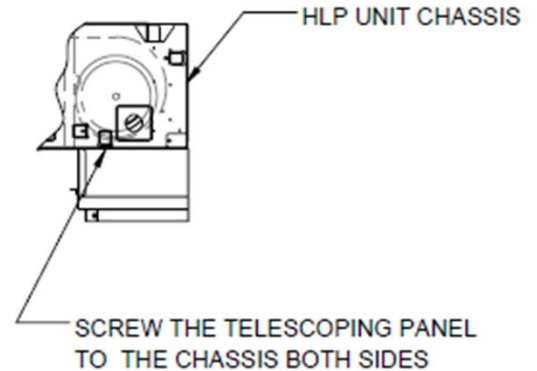
THBP Series A

Horizontal Low Profile Plenum Return (Telescoping Panel Installation)



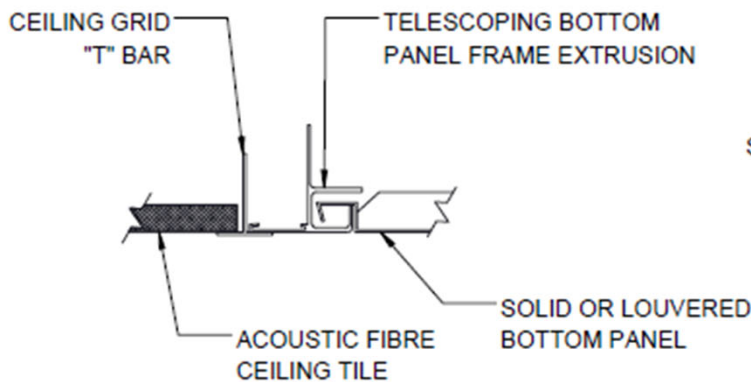
SIDE VIEW

TYPICAL INSTALLATION METHODS

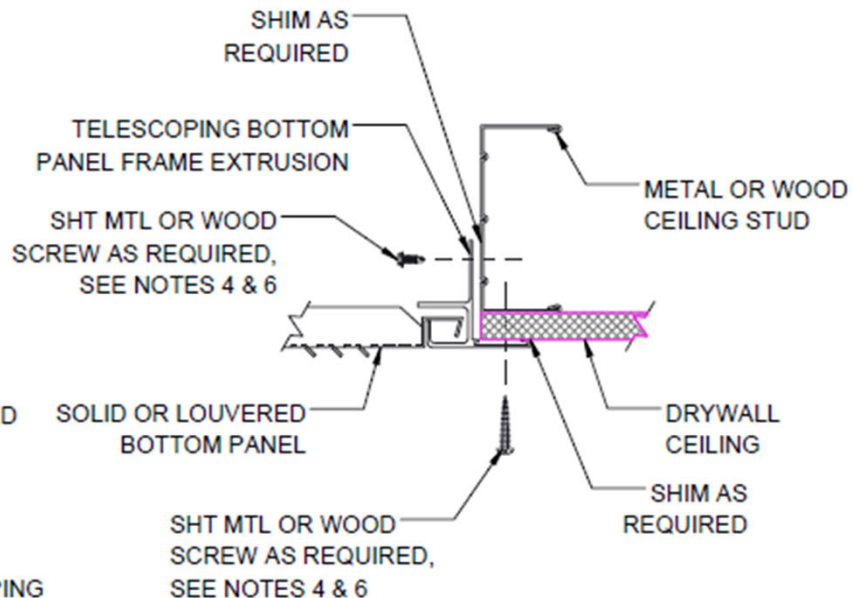


SIDE VIEW

INLET COLLAR INSTALLATION



SUSPENDED GRID/TILE CEILING SYSTEM



STUD/DRYWALL CEILING SYSTEM

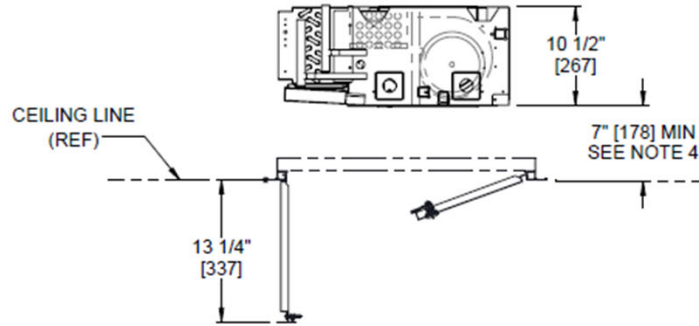
NOTE: CEILING "T" BAR GRID MAY NOT SUPPORT TELESCOPING BOTTOM PANEL ASSEMBLY. BOTTOM PANEL ASSEMBLY MAY REQUIRE INDEPENDENT SUPPORT.

NOTE:

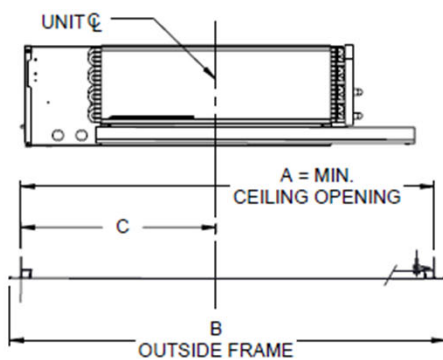
1. All dimensions are inches [millimeters]. All dimensions $\pm 1/4"$ [6mm]. Metric values are soft conversion.
2. All drawings subject to change without prior notice.
3. Left hand unit shown, right hand unit opposite.
4. Mounting hardware not provided. Mounting holes are located.
5. Remove solid and louvered bottom panels before mounting frame assembly.
6. Frame assembly must be installed flat and square. Failure to do so may result in poor bottom panel fit and improper airflow pattern. Shim frame to support as required.
7. Telescoping skirt assembly must be field adjusted to assure close fit to louvered bottom panel.
8. Portions of the inlet louver not directly below unit inlet may require covering in the field on applications where infiltration of ceiling plenum air into space is undesired.

THBC/THBP Series A

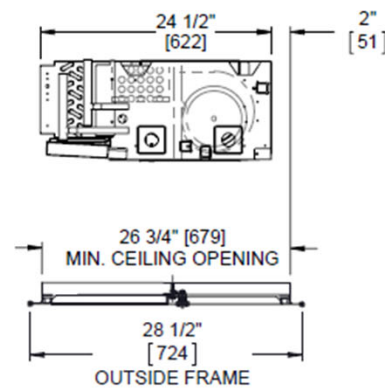
Horizontal Low Profile Concealed/Plenum (Solid Bottom Access Panel)



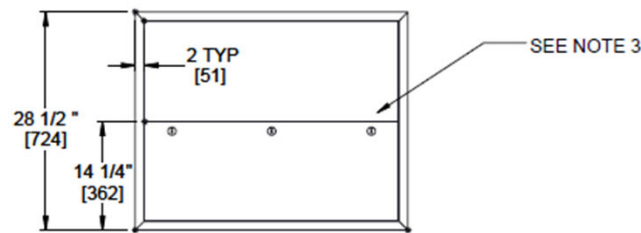
SIDE VIEW



FRONT VIEW



SIDE VIEW



BOTTOM VIEW

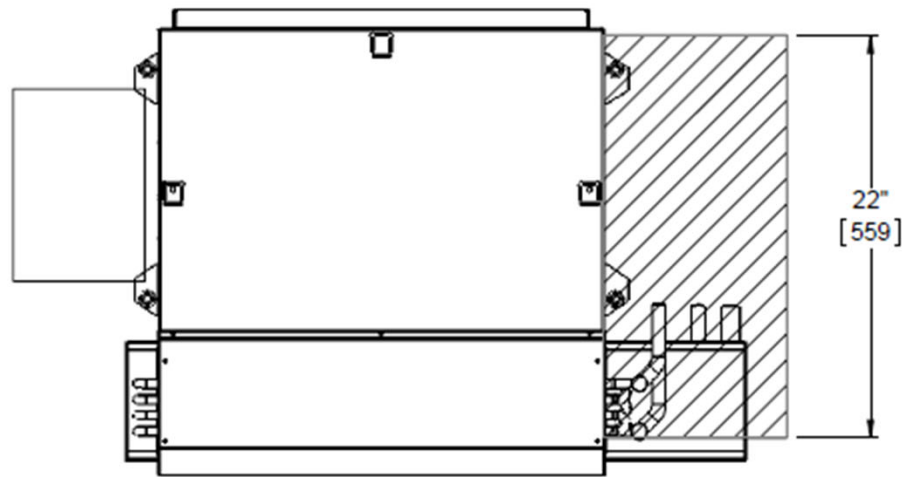
DIMENSIONS			
UNIT SIZE	A	B	C
02	38 1/4" [972]	40 1/4" [1022]	19 1/8" [486]
03	41 1/2" [1054]	43 1/2" [1105]	20 3/4" [527]
04	46 1/2" [1181]	48 1/2" [1232]	23 1/4" [591]
06	53 1/4" [1353]	55 1/4" [1403]	26 5/8" [676]
08	60 1/4" [1530]	62 1/4" [1581]	30 1/8" [765]
09	64 1/2" [1638]	66 1/2" [1689]	32 1/4" [819]
10	74 1/4" [1885]	76 1/4" [1937]	37 1/8" [943]
12	82 1/4" [2089]	84 1/4" [2140]	41 1/8" [1045]

NOTES:

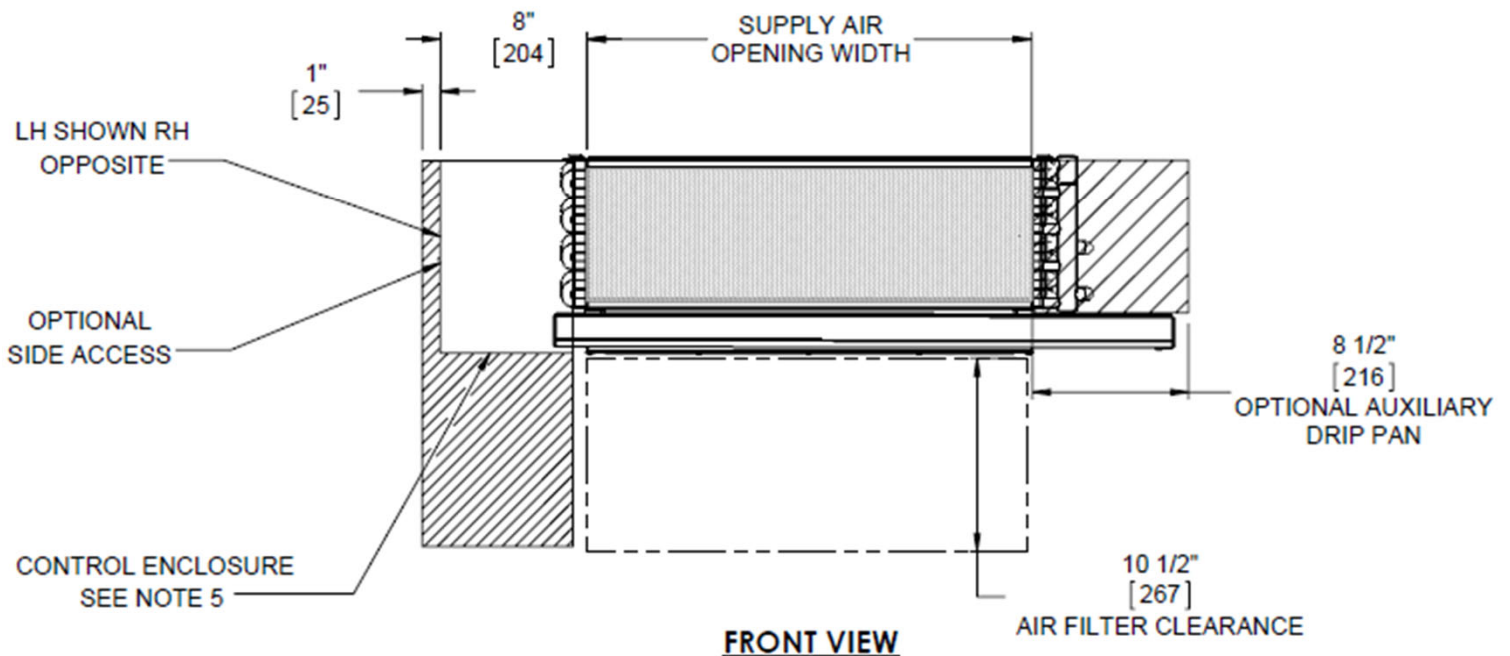
1. All dimensions in Inches [millimeters]. All dimensions $\pm 1/4"$ [6mm]. Metric values are soft conversion.
2. Left hand unit shown, right hand unit opposite.
3. 1/4 Turn latch, (2) qty for standard sizes, (3) qty for sizes 10-12.
4. Please reference the external feature space requirements submittal for complete service space requirements. Service access may be limited based on the panels are installed in relation to the unit.

THBC/THBP Series A

Horizontal Low Profile Concealed/Plenum External Space Requirements



TOP VIEW



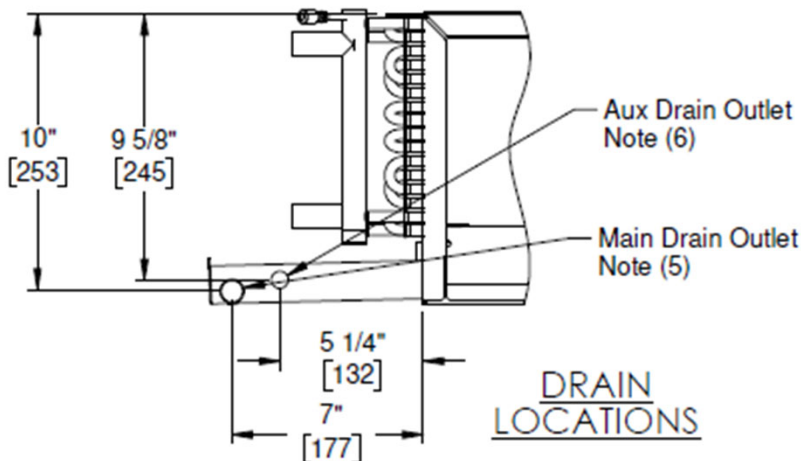
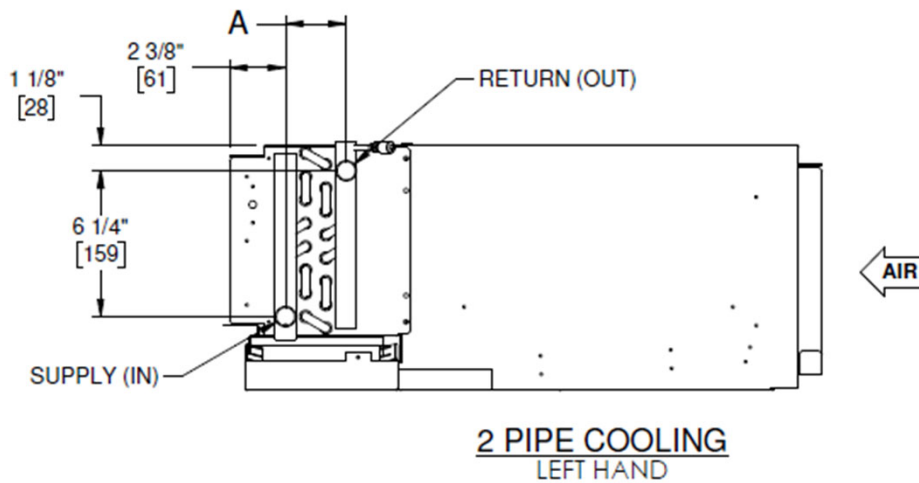
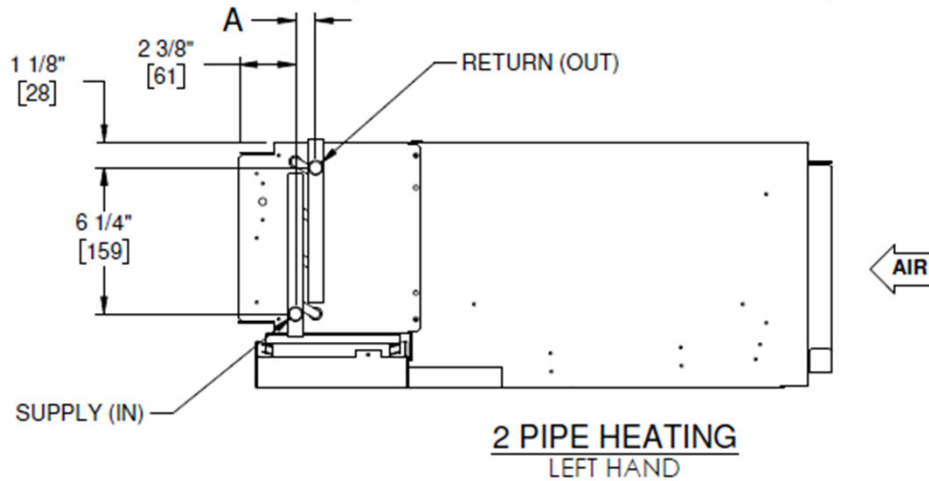
FRONT VIEW

NOTES:

1. All chilled water piping that projects beyond the condensate pan or the optional auxiliary drip pan must be field insulated by others.
2. Auxiliary drip pan shown above is optional, and is mounted on the outlet side of the drain pan.
3. Drain pan is installed with the outlet tube(s) on cooling coil connection end of coil on 4-pipe units with optional opposite end connection.
4. Dimensions shown on this drawing apply to standard CW and HW valve packages. Refer to the Piping Package Catalog for valve package code details. Contact factory for details on valve packages using non-standard or customer furnished components.
5. Provide sufficient clearance to access electrical components and comply with all applicable codes and ordinances.

THBC/THBP Series A

Horizontal Low Profile Concealed/Plenum (Water Coil Connection Locations)



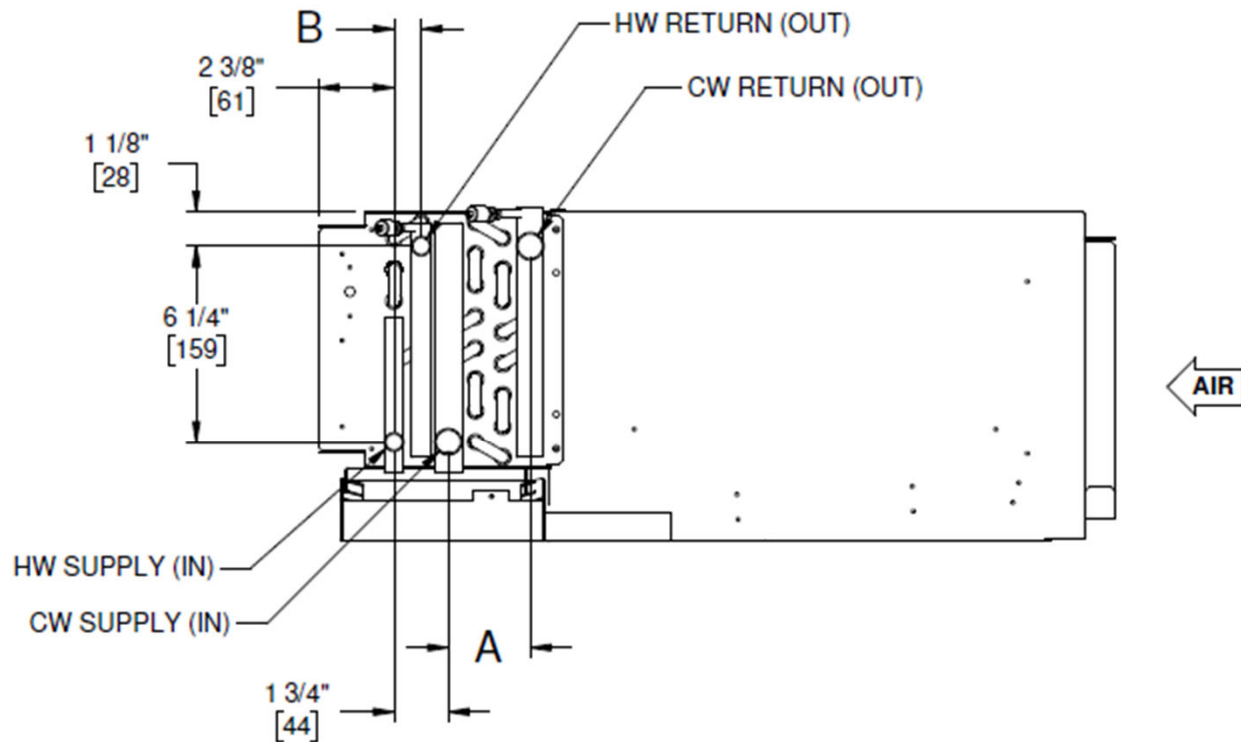
Unit Type	Coil Rows	A
2 Pipe Heating	1	1" [25]
	2	7/8" [22]
2 Pipe Cooling	2	1 1/8" [29]
	3	1 3/4" [44]
	4	2 5/8" [67]
	5	3 1/2" [89]
	6	4 3/8" [111]

NOTES:

- All dimensions are inches [millimeters] All dimensions +/- 1/2 [13mm]. Metric values are soft conversion.
- All drawings subject to change without notice.
- Model THBP unit shown, typical for model THBC units. Connections shown are internal on THBE units.
- Connection Size: Chilled Water: 7/8 ODM (3/4" NOM.) Hot Water: 5/8 ODM (1/2" NOM.)
- Standard externally foam coated galvanized steel drain pan has 7/8" ODM copper outlet. Stainless steel drain pan has 3/4" MPT galvanized steel outlet.
- Aux. drain outlet is 5/8" ODM copper or 3/8" MPT galvanized steel respectively. Aux. drain outlet is always on viewer's left when facing outlet end of drain pan, regardless of unit hand.

THBC/THBP Series A

Horizontal Low Profile Concealed/Plenum (Water Coil Connection Locations)



4 PIPE RE-HEAT LEFT HAND

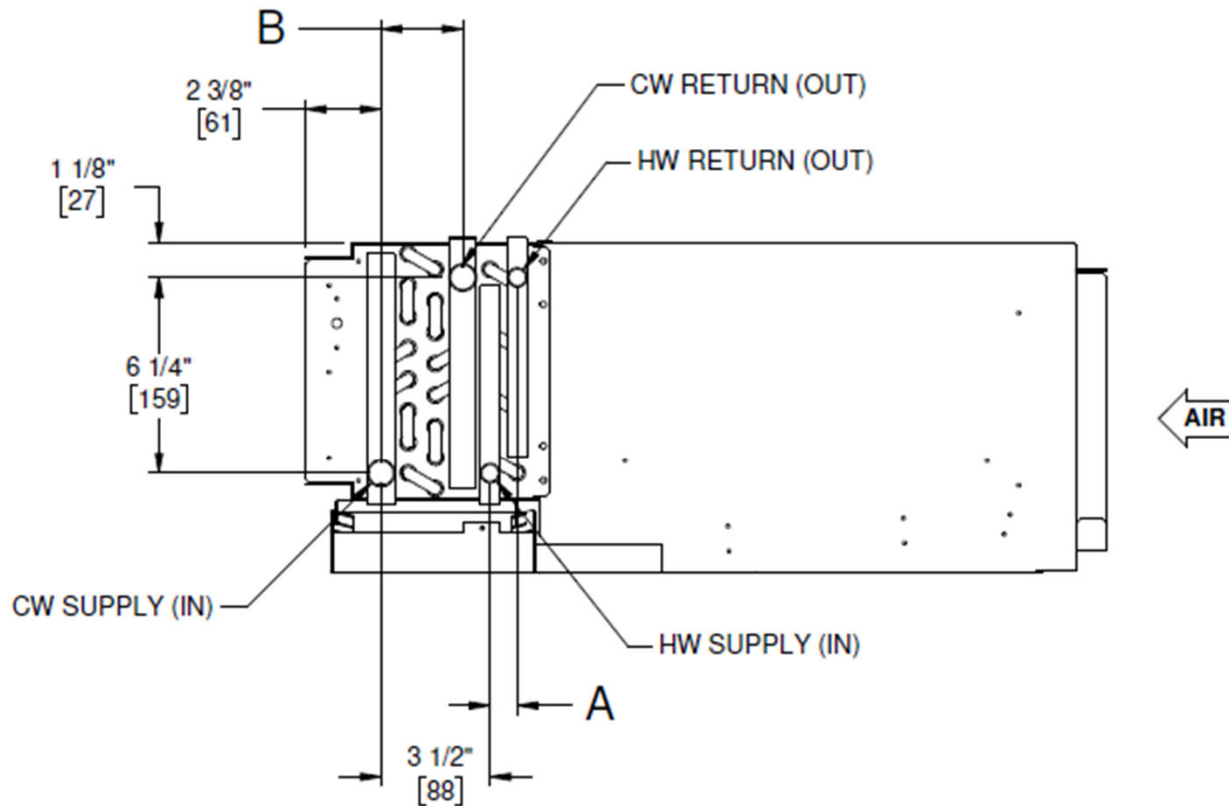
4 Pipe Re-Heat			
Coil 1 Rows	A	Coil 2 Rows	B
2	1 1/8" [29]	1	1" [25]
3	1 3/4" [44]	1	1" [25]
4	2 5/8" [67]	1	1" [25]
5	3 1/2" [89]	1	1" [25]
2	1 1/8" [29]	2	7/8" [22]
3	1 3/4" [44]	2	7/8" [22]
4	2 5/8" [67]	2	7/8" [22]

NOTES:

1. All dimensions are inches [millimeters] All dimensions +/- 1/2 [13mm]. Metric values are soft conversion.
2. All drawings subject to change without notice.
3. Model THBP unit shown, typical for model THBC units. Connections shown are internal on THBE units.
4. Connection Size: Chilled Water: 7/8 ODM (3/4" NOM.) Hot Water: 5/8 ODM (1/2" NOM.)
5. Standard externally foam coated galvanized steel drain pan has 7/8" ODM copper outlet. Stainless steel drain pan has 3/4" MPT galvanized steel outlet.
6. Aux. drain outlet is 5/8" ODM copper or 3/8" MPT galvanized steel respectively. Aux. drain outlet is always on viewer's left when facing outlet end of drain pan, regardless of unit hand.

THBC/THBP Series A

Horizontal Low Profile Concealed/Plenum (Water Coil Connection Locations)



4 PIPE PRE-HEAT LEFT HAND

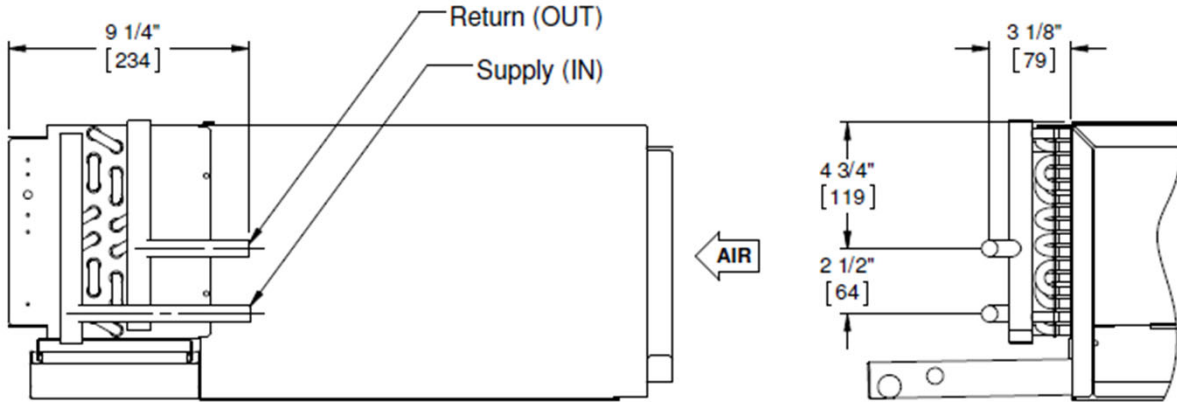
4 Pipe Pre-Heat			
Coil 1 Rows	A	Coil 2 Rows	B
2	1" [25]	1	1 1/8" [29]
3	1" [25]	1	1 3/4" [44]
4	1" [25]	1	2 5/8" [67]
5	1" [25]	1	3 1/2" [89]
2	7/8" [22]	2	1 1/8" [29]
3	7/8" [22]	2	1 3/4" [44]
4	7/8" [22]	2	2 5/8" [67]

NOTES:

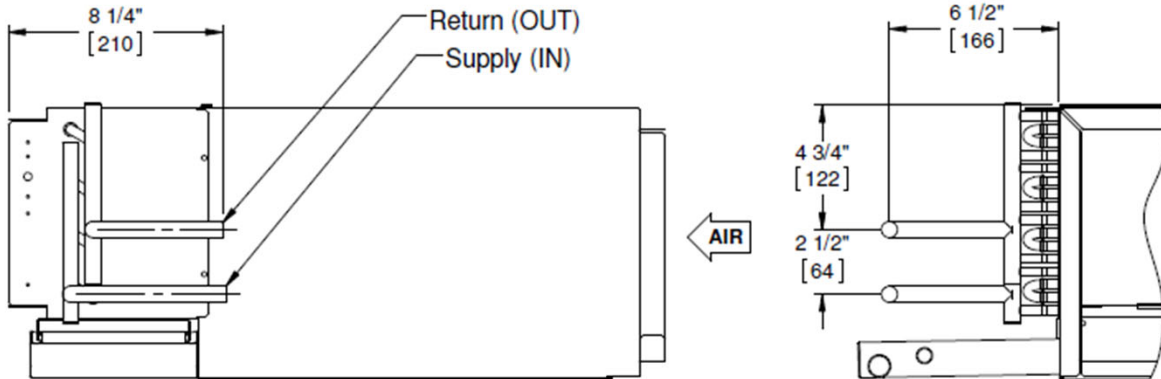
1. All dimensions are inches [millimeters] All dimensions +/- 1/2 [13mm]. Metric values are soft conversion.
2. All drawings subject to change without notice.
3. Model THBP unit shown, typical for model THBC units. Connections shown are internal on THBE units.
4. Connection Size: Chilled Water: 7/8 ODM (3/4" NOM.) Hot Water: 5/8 ODM (1/2" NOM.)
5. Standard externally foam coated galvanized steel drain pan has 7/8" ODM copper outlet. Stainless steel drain pan has 3/4" MPT galvanized steel outlet.
6. Aux. drain outlet is 5/8" ODM copper or 3/8" MPT galvanized steel respectively. Aux. drain outlet is always on viewer's left when facing outlet end of drain pan, regardless of unit hand.

THBC/THBP/THBE Series A

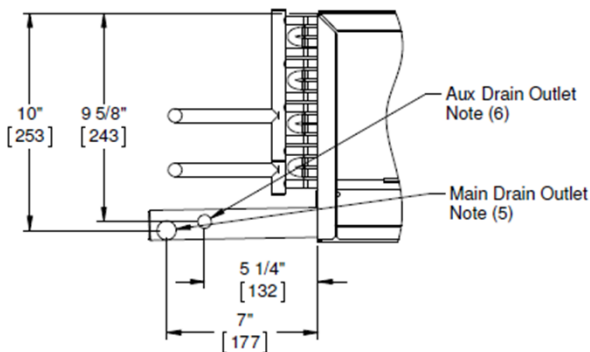
Horizontal Low Profile Concealed/Plenum/Concealed (Water Coil Connection Locations)



2 PIPE COOLING
FOR VALVE PACKAGES
(LEFT HAND)



2 PIPE HEATING
FOR VALVE PACKAGES
(LEFT HAND)



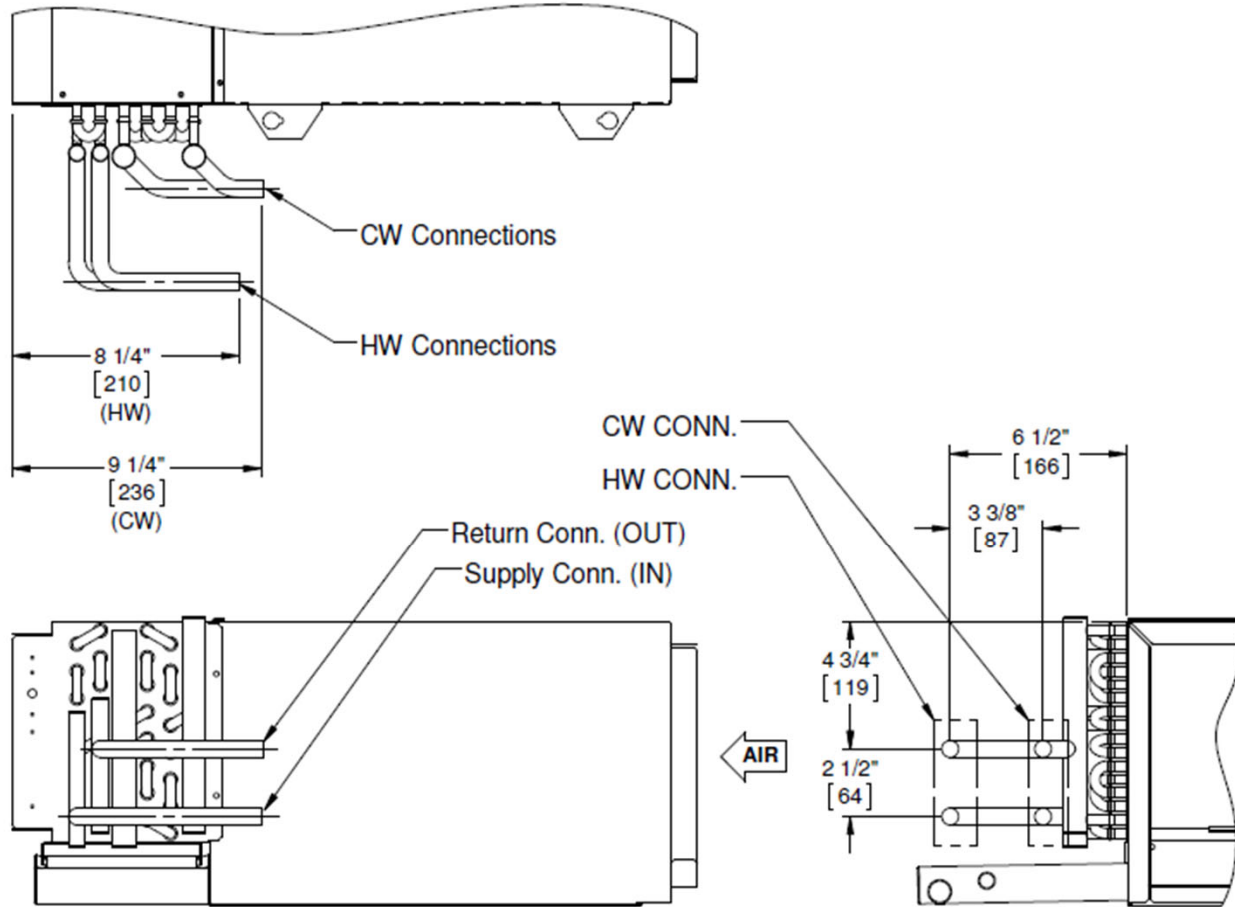
DRAIN LOCATIONS

NOTES:

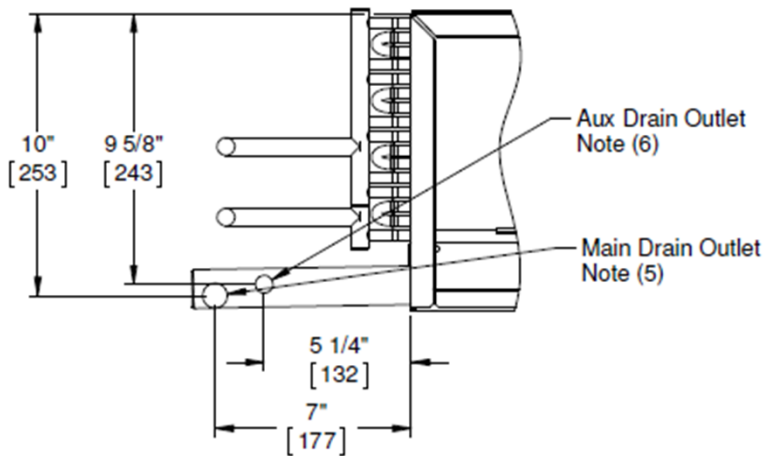
1. All dimensions are inches [millimeters] All dimensions 1/2 [13mm]. Metric values are soft conversion.
2. All drawings subject to change without notice.
3. Model THBP unit shown, typical for model THBC units. Connections shown are internal on THBE units.
4. Connection Size: Chilled Water: 5/8 ODM (1/2" NOM.) Hot Water: 5/8 ODM (1/2" NOM.)
5. Standard externally foam coated galvanized steel drain pan has 7/8" ODM copper outlet. Stainless steel drain pan has 3/4" MPT galvanized steel outlet.
6. Aux. drain outlet is 5/8" ODM copper or 3/8" MPT galvanized steel respectively. Aux. drain outlet is always closest to the unit when facing outlet end of drain pan, regardless of unit hand.

THBC/THBP/THBE Series A

Horizontal Low Profile Concealed/Plenum/Concealed (Water Coil Connection Locations)



4 PIPE RE-HEAT FOR VALVE PACKAGES (LEFT HAND)



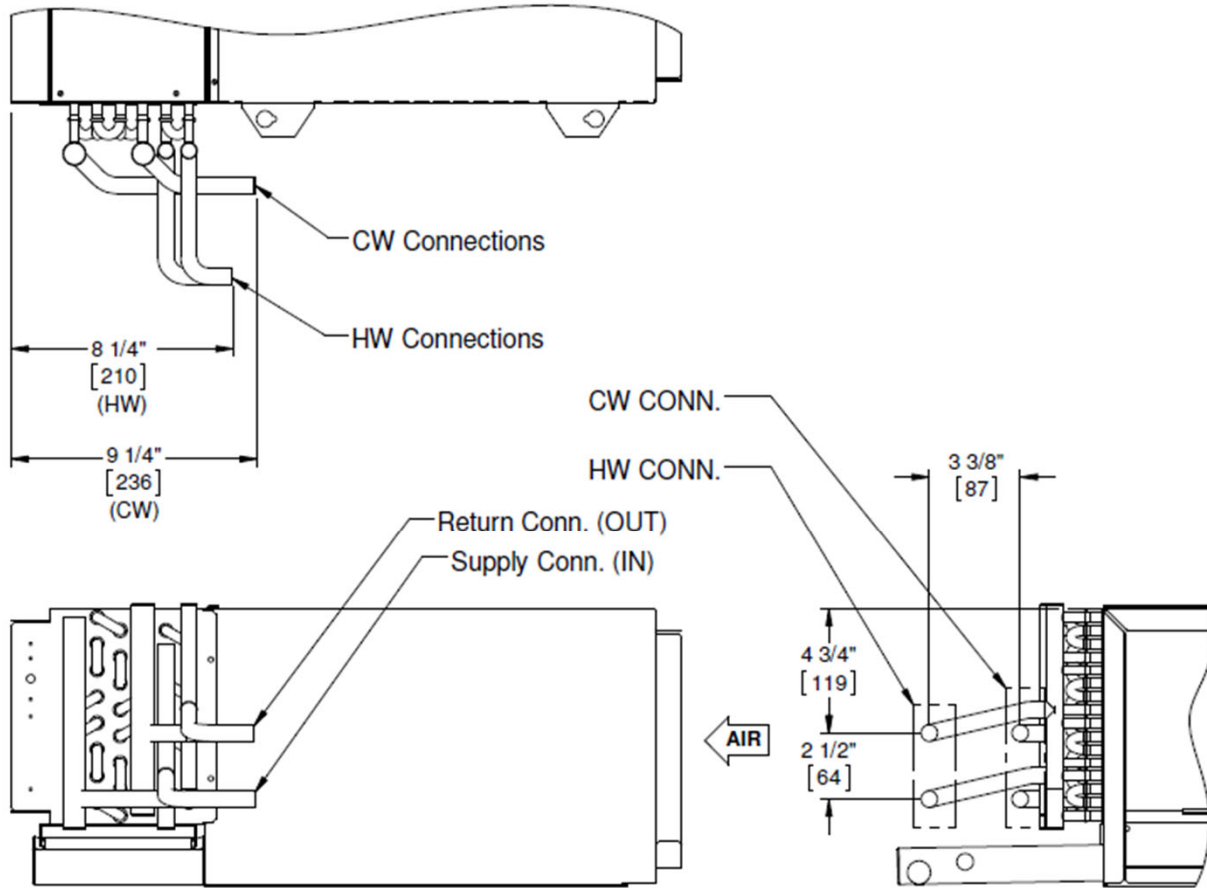
DRAIN LOCATIONS

NOTES:

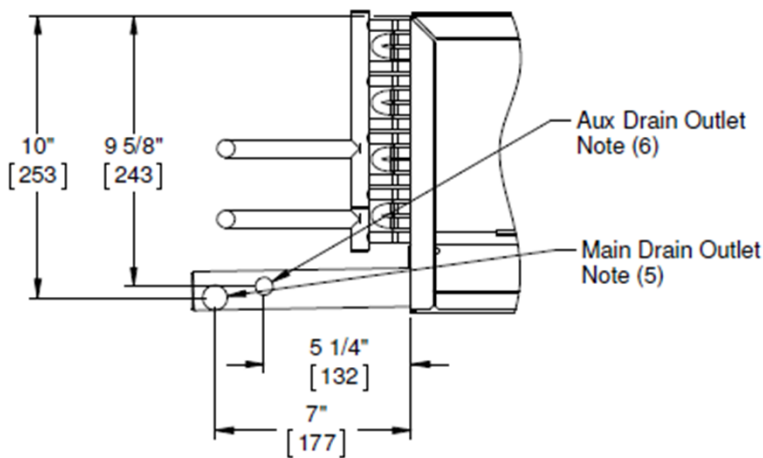
1. All dimensions are inches [millimeters] All dimensions 1/2 [13mm]. Metric values are soft conversion.
2. All drawings subject to change without notice.
3. Model THBP unit shown, typical for model THBC units. Connections shown are internal on THBE units.
4. Connection Size: Chilled Water: 5/8 ODM (1/2" NOM.) Hot Water: 5/8 ODM (1/2" NOM.)
5. Standard externally foam coated galvanized steel drain pan has 7/8" ODM copper outlet. Stainless steel drain pan has 3/4" MPT galvanized steel outlet.
6. Aux. drain outlet is 5/8" ODM copper or 3/8" MPT galvanized steel respectively. Aux. drain outlet is always closest to the unit when facing outlet end of drain pan, regardless of unit hand.

THBC/THBP/THBE Series A

Horizontal Low Profile Concealed/Plenum/Concealed (Water Coil Connection Locations)



4 PIPE PRE-HEAT FOR VALVE PACKAGES (LEFT HAND)



DRAIN LOCATIONS

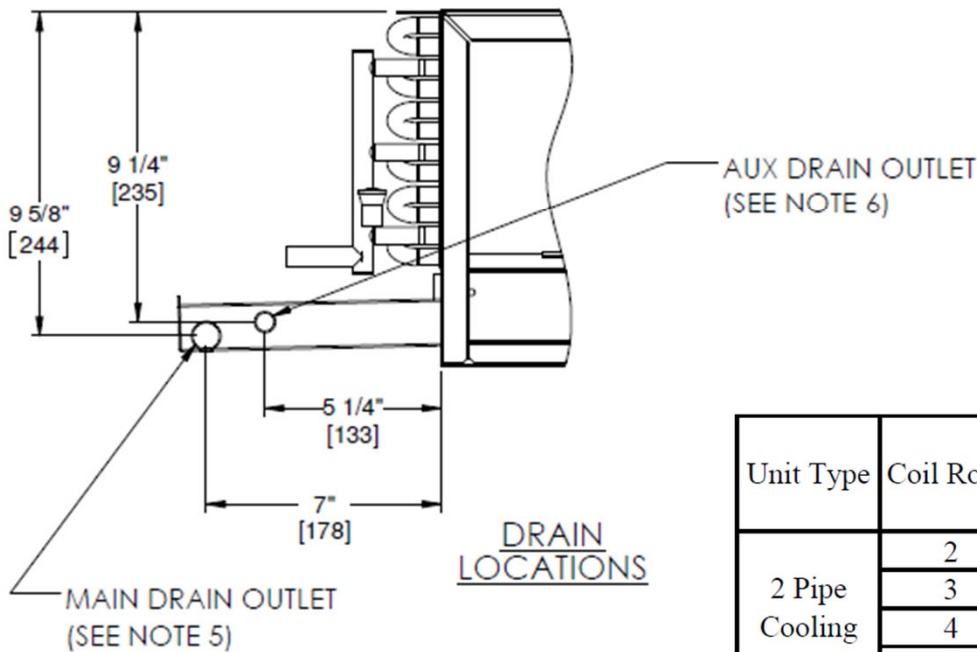
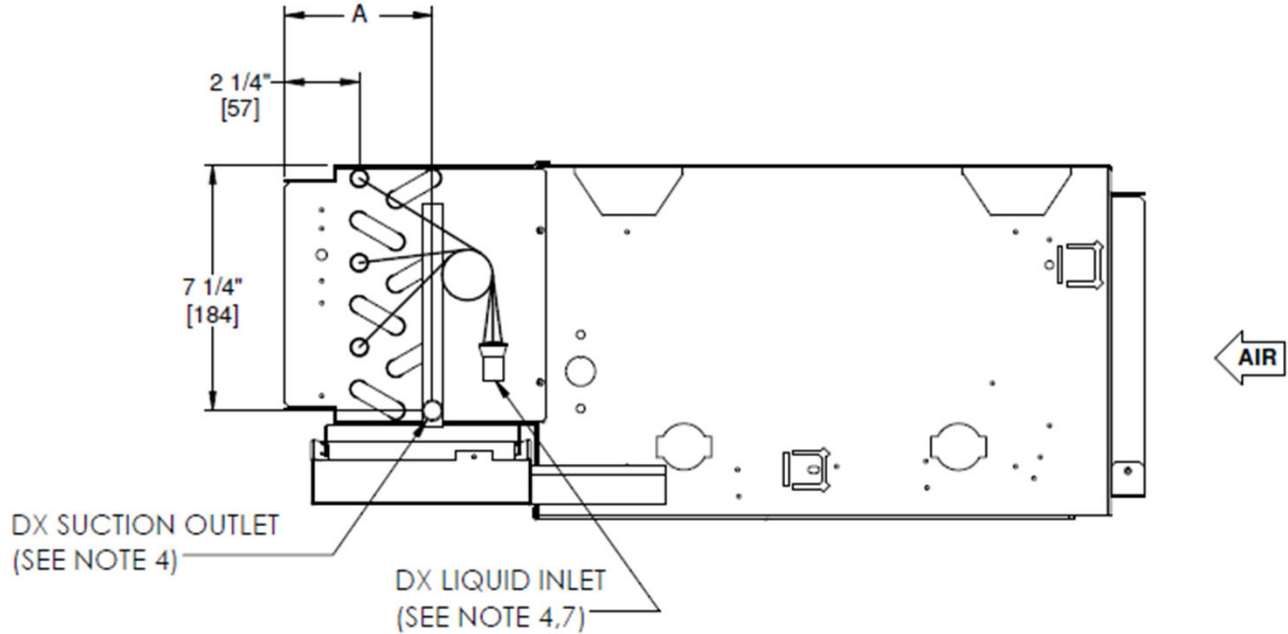
NOTES:

1. All dimensions are inches [millimeters] All dimensions 1/2 [13mm]. Metric values are soft conversion.
2. All drawings subject to change without notice.
3. Model THBP unit shown, typical for model THBC units. Connections shown are internal on THBE units.
4. Connection Size: Chilled Water: 5/8 ODM (1/2" NOM.) Hot Water: 5/8 ODM (1/2" NOM.)
5. Standard externally foam coated galvanized steel drain pan has 7/8" ODM copper outlet. Stainless steel drain pan has 3/4" MPT galvanized steel outlet.
6. Aux. drain outlet is 5/8" ODM copper or 3/8" MPT galvanized steel respectively. Aux. drain outlet is always closest to the unit when facing outlet end of drain pan, regardless of unit hand.

THBC/THBP/THBE Series A

Horizontal Low Profile (DX/HW Coil Connection Locations)

2 PIPE COOLING LEFT HAND



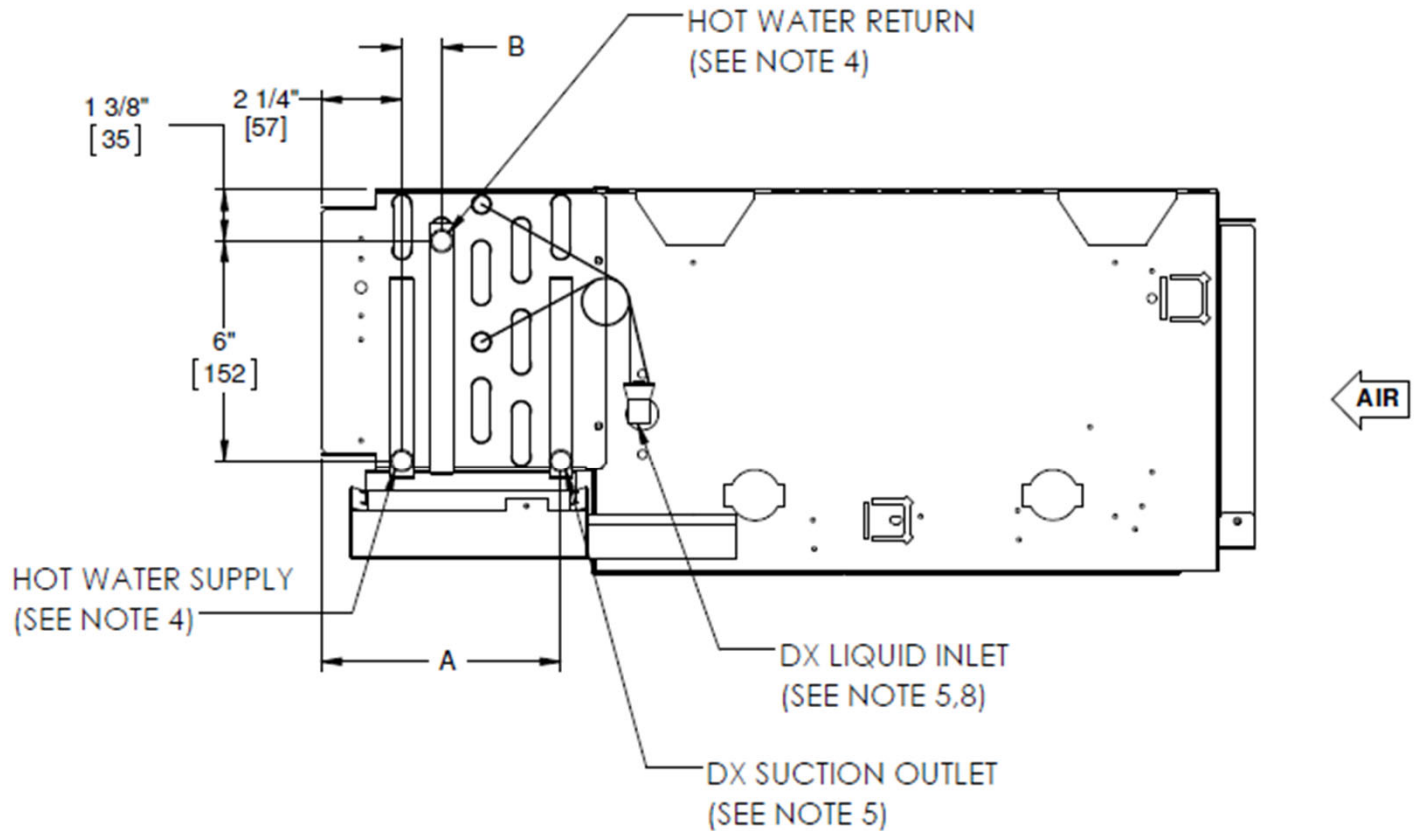
Unit Type	Coil Rows	A	
		In	mm
2 Pipe Cooling	2	3 1/4	83
	3	4 3/8	111
	4	5 1/2	140
	5	6 5/8	168

NOTES:

- All dimensions are inches [millimeters] All dimensions 1/2" [13mm]. Metric values are soft conversion.
- All drawings subject to change without notice.
- Model THBP unit shown, typical for model THBC units. Connections shown are internal on THBE units.
- Connection for DX: DX Liquid Inlet: 5/8" ODM copper (1/2" NOM) Suction Outlet: 5/8" ODM copper (1/2" NOM)
- Standard externally foam coated galvanized steel drain pan has 7/8" ODM copper outlet. Stainless steel drain pan has 3/4" MPT galvanized steel outlet.
- Aux. drain outlet is 5/8" ODM copper or 3/8" MPT galvanized steel respectively. Aux. drain outlet is located to the inside of Main Drain Outlet on drain pan, regardless of unit hand.
- Liquid Inlet arrangement may vary.

THBC/THBP/THBE Series A

Horizontal Low Profile (DX/HW Coil Connection Locations)



4 PIPE DX/HW RE-HEAT LEFT HAND

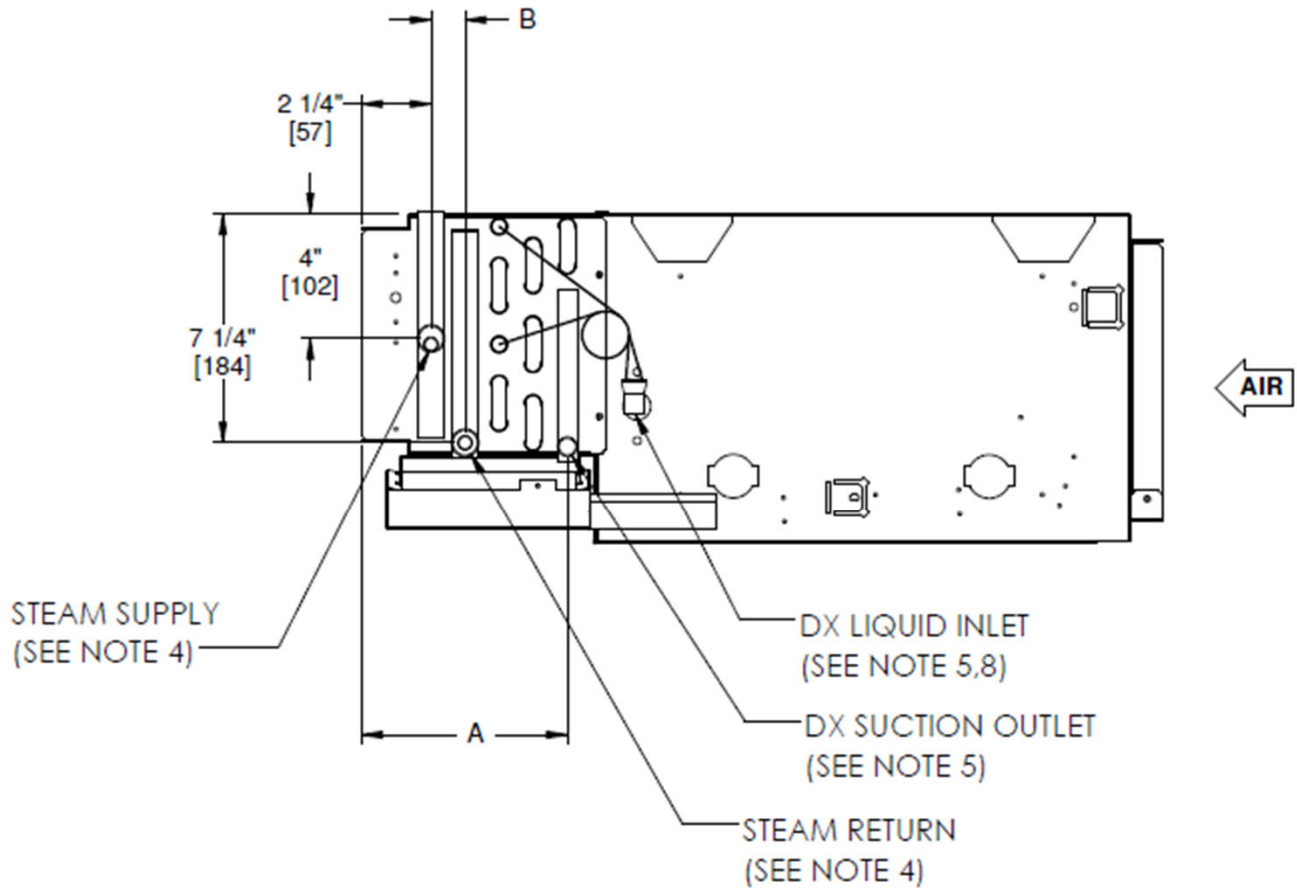
Unit Type	Coil 1	A		Coil 2	A	
		In	mm		In	mm
4 Pip DX/HW Reheat	2	4 3/8	111	2	4 3/8	111
	3	5 1/2	140	3	5 1/2	140
	4	7 5/8	194	4	7 5/8	194
	2	4 3/8	111	2	4 3/8	111
	3	5 1/2	140	3	5 1/2	140

NOTES:

- All dimensions are inches [millimeters] All dimensions 1/2 [13mm]. Metric values are soft conversion.
- All drawings subject to change without notice.
- Model THBP unit shown, typical for model THBC units. Connections shown are internal on THBE units.
- Connection Size: Hot Water Supply: 5/8 ODM (1/2" NOM.) Hot Water Return: 5/8 ODM (1/2" NOM.)
- Connection for DX: DX Liquid Inlet: 5/8" ODM copper (1/2" NOM) Suction Outlet: 5/8" ODM copper (1/2" NOM)
- Standard externally foam coated galvanized steel drain pan has 7/8" ODM copper outlet. Stainless steel drain pan has 3/4" MPT galvanized steel outlet.
- Aux. drain outlet is 5/8" ODM copper or 3/8" MPT galvanized steel respectively. Aux. drain outlet is located to the inside of Main Drain Outlet on drain pan, regardless of unit hand.
- Liquid Inlet arrangement may vary

THBC/THBP/THBE Series A

Horizontal Low Profile (DX/HW Coil Connection Locations)



4 PIPE DX/2R-STEAM RE-HEAT LEFT HAND

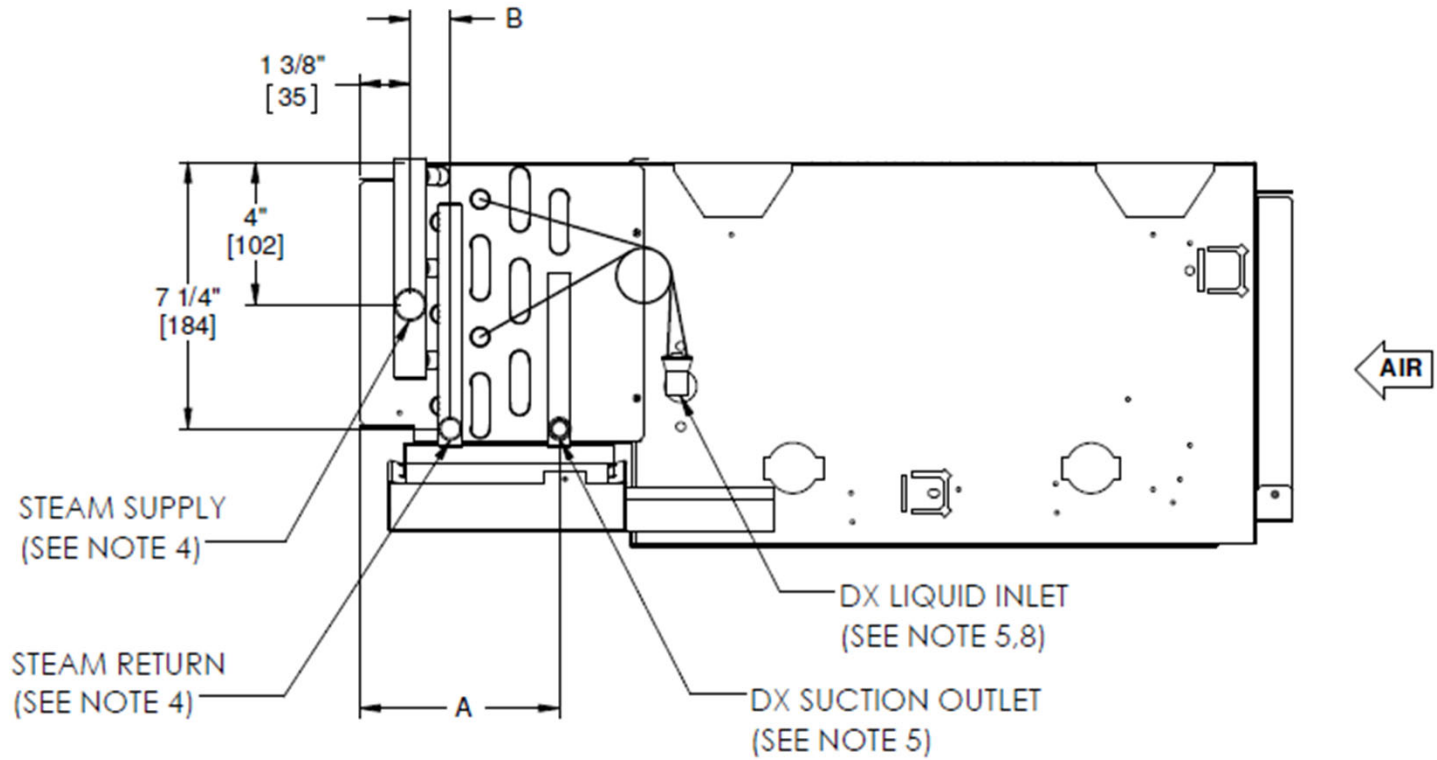
<u>4 PIPE DX/2R-STEAM RE-HEAT</u>			
Coil 1 Rows	A	Coil 2 Rows	B
2	5 1/2" [140]	2	1 1/8" [29]
3	6 1/2" [165]	2	1 1/8" [29]

NOTES:

1. All dimensions are inches [millimeters] All dimensions 1/2 [13mm]. Metric values are soft conversion.
2. All drawings subject to change without notice.
3. Model THBP unit shown, typical for model THBC units. Connections shown are internal on THBE units.
4. Connection Size: Steam Supply: 7/8 ODM (3/4" NOM.) Steam Return: 7/8 ODM (3/4" NOM.)
5. Connection for DX: DX Liquid Inlet: 5/8" ODM copper (1/2" NOM) Suction Outlet: 5/8" ODM copper (1/2" NOM)
6. Standard externally foam coated galvanized steel drain pan has 7/8" ODM copper outlet. Stainless steel drain pan has 3/4" MPT galvanized steel outlet.
7. Aux. drain outlet is 5/8" ODM copper or 3/8" MPT galvanized steel respectively. Aux. drain outlet is located to the inside of Main Drain Outlet on drain pan, regardless of unit hand.
8. Liquid Inlet arrangement may vary.

THBC/THBP/THBE Series A

Horizontal Low Profile (DX/HW Coil Connection Locations)



4 PIPE DX/1R-STEAM RE-HEAT LEFT HAND

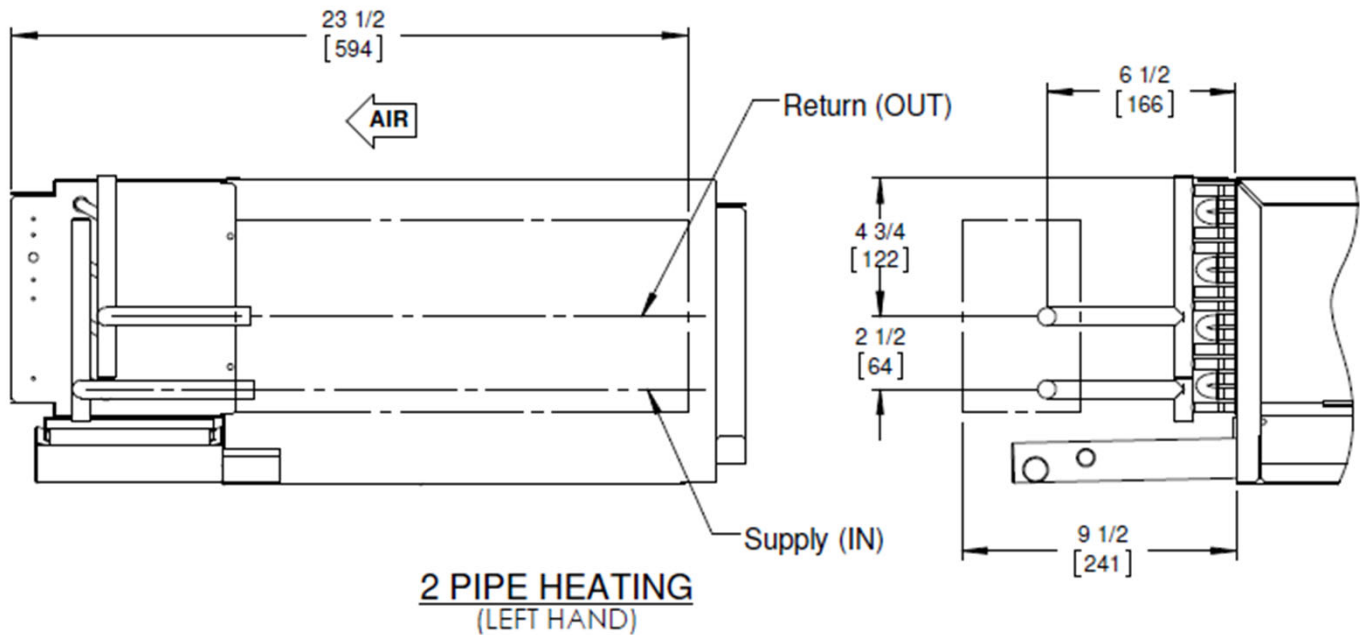
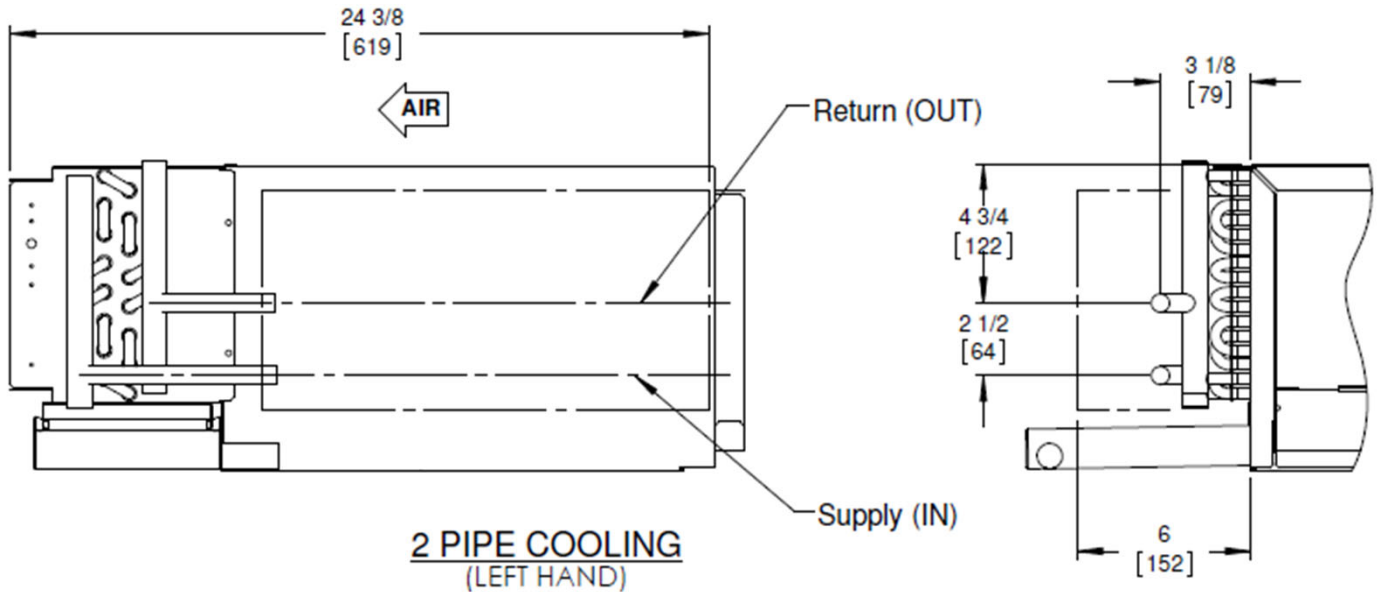
<u>4 PIPE DX/1R-STEAM RE-HEAT</u>			
Coil 1 Rows	A	Coil 2 Rows	B
2	4 3/8" [111]	1	1 1/8" [29]
3	5 1/2" [140]	1	1 1/8" [29]
4	6 5/8" [168]	1	1 1/8" [29]

NOTES:

- All dimensions are inches [millimeters] All dimensions 1/2 [13mm]. Metric values are soft conversion.
- All drawings subject to change without notice.
- Model THBP unit shown, typical for model THBC units. Connections shown are internal on THBE units.
- Connection Size: Steam Supply: 7/8 ODM (3/4" NOM.) Steam Return: 5/8 ODM (1/2" NOM.)
- Connection for DX: DX Liquid Inlet: 5/8" ODM copper (1/2" NOM) Suction Outlet: 5/8" ODM copper (1/2" NOM)
- Standard externally foam coated galvanized steel drain pan has 7/8" ODM copper outlet. Stainless steel drain pan has 3/4" MPT galvanized steel outlet.
- Aux. drain outlet is 5/8" ODM copper or 3/8" MPT galvanized steel respectively. Aux. drain outlet is located to the inside of Main Drain Outlet on drain pan, regardless of unit hand.
- Liquid Inlet arrangement may vary.

THBP/THBE Series A

Horizontal Low Profile Plenum/Concealed (Valve Package Connections)

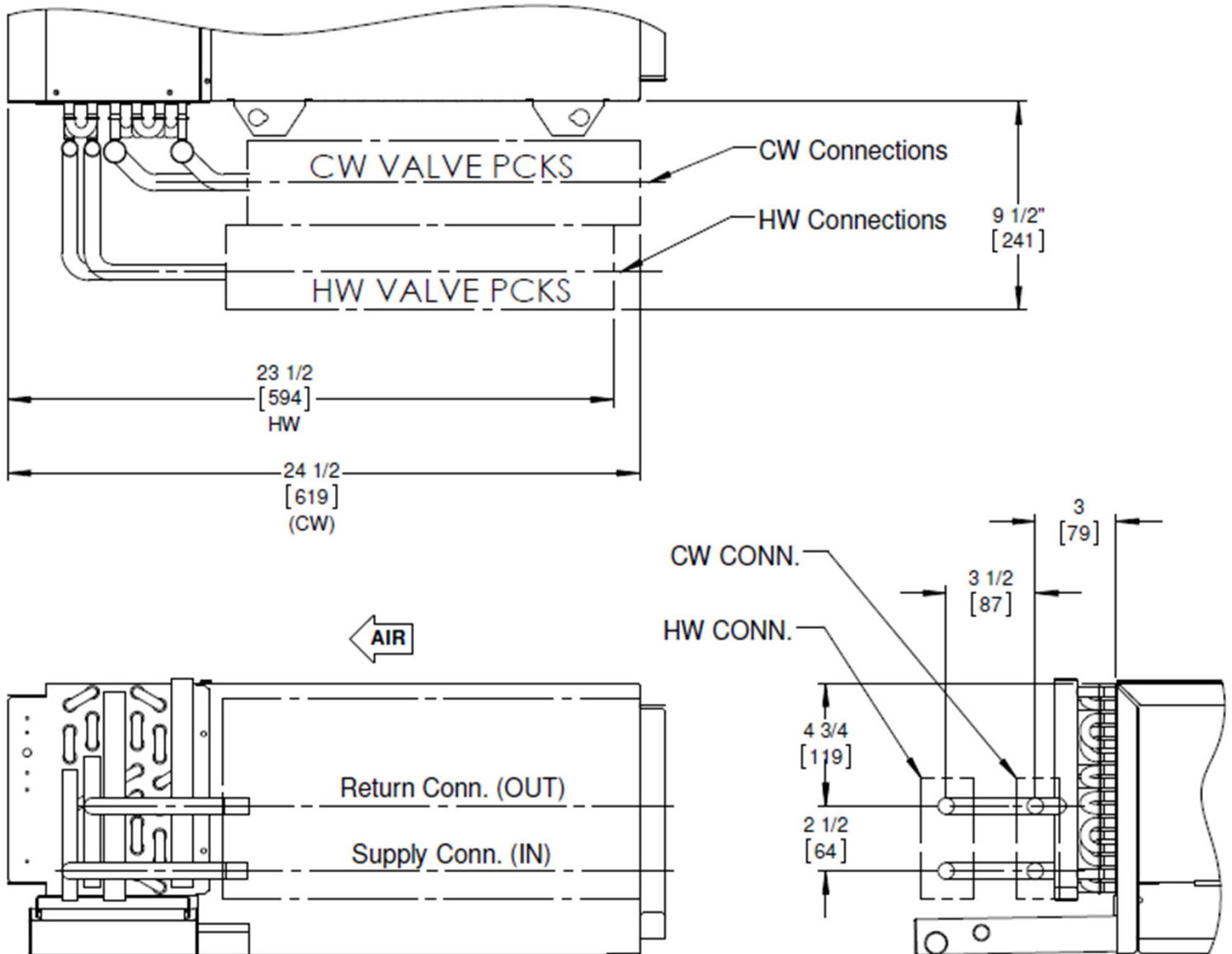


NOTES:

1. All dimensions are inches [millimeters] All dimensions 1/2 [13mm]. Metric values are soft conversion.
2. All drawings subject to change without notice.
3. Connection Size: Chilled Water: 5/8 ODM (1/2" NOM.) Hot Water: 5/8 ODM (1/2" NOM.)
4. See "Coil Connection Location" drawing for drain pan specifications.
5. Consult WebSelect selection summary for valve-package components and specifications.

THBP/THBE Series A

Horizontal Low Profile Plenum/Concealed (Valve Package Connections)



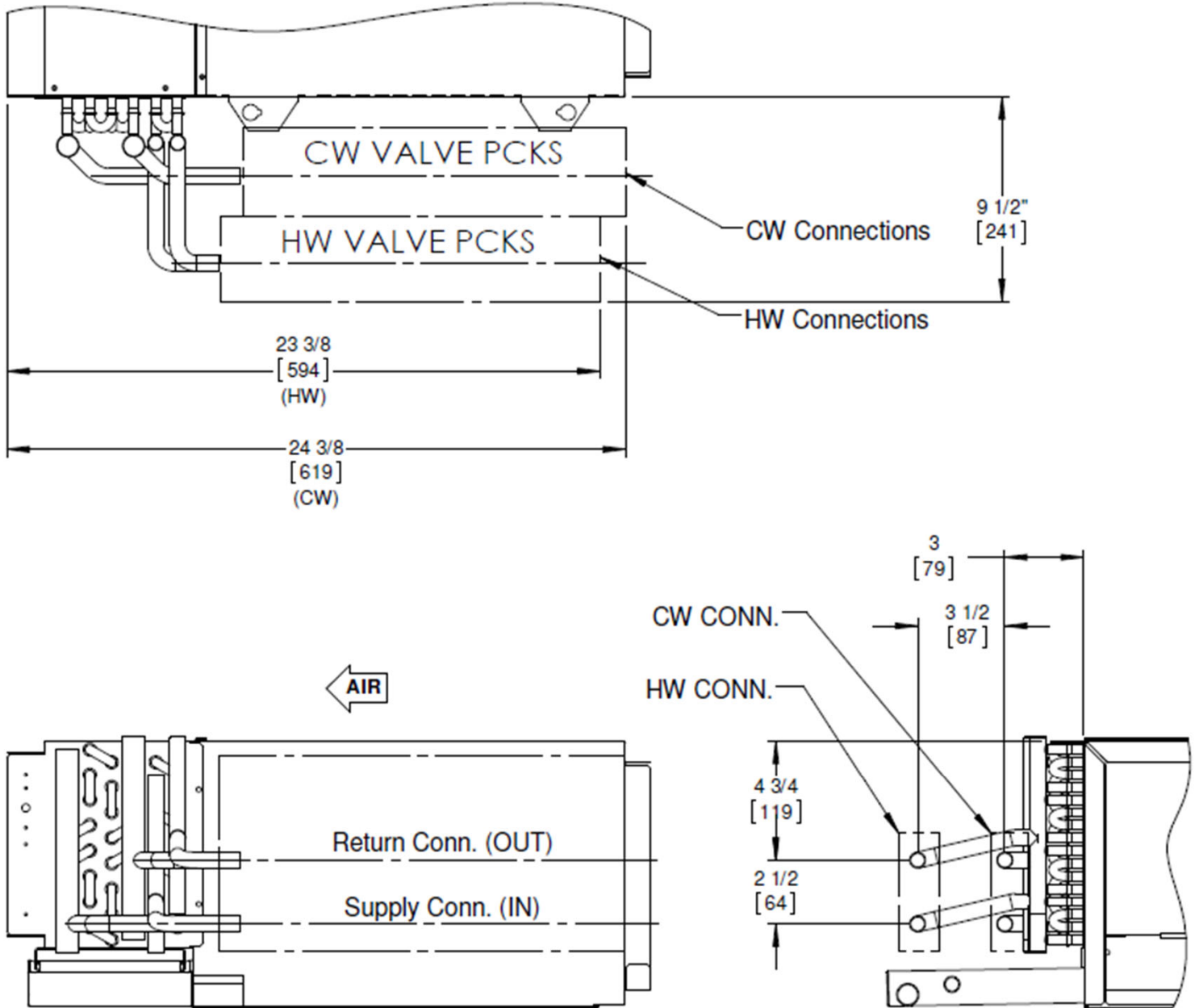
4 PIPE RE-HEAT (LEFT HAND)

NOTES:

1. All dimensions are inches [millimeters] All dimensions 1/2 [13mm]. Metric values are soft conversion.
2. All drawings subject to change without notice.
3. Connection Size: Chilled Water: 5/8 ODM (1/2" NOM.) Hot Water: 5/8 ODM (1/2" NOM.)
4. See "Coil Connection Location" drawing for drain pan specifications.
5. Consult WebSelect selection summary for valve-package components and specifications.

THBP/THBE Series A

Horizontal Low Profile Plenum/Concealed (Valve Package Connections)



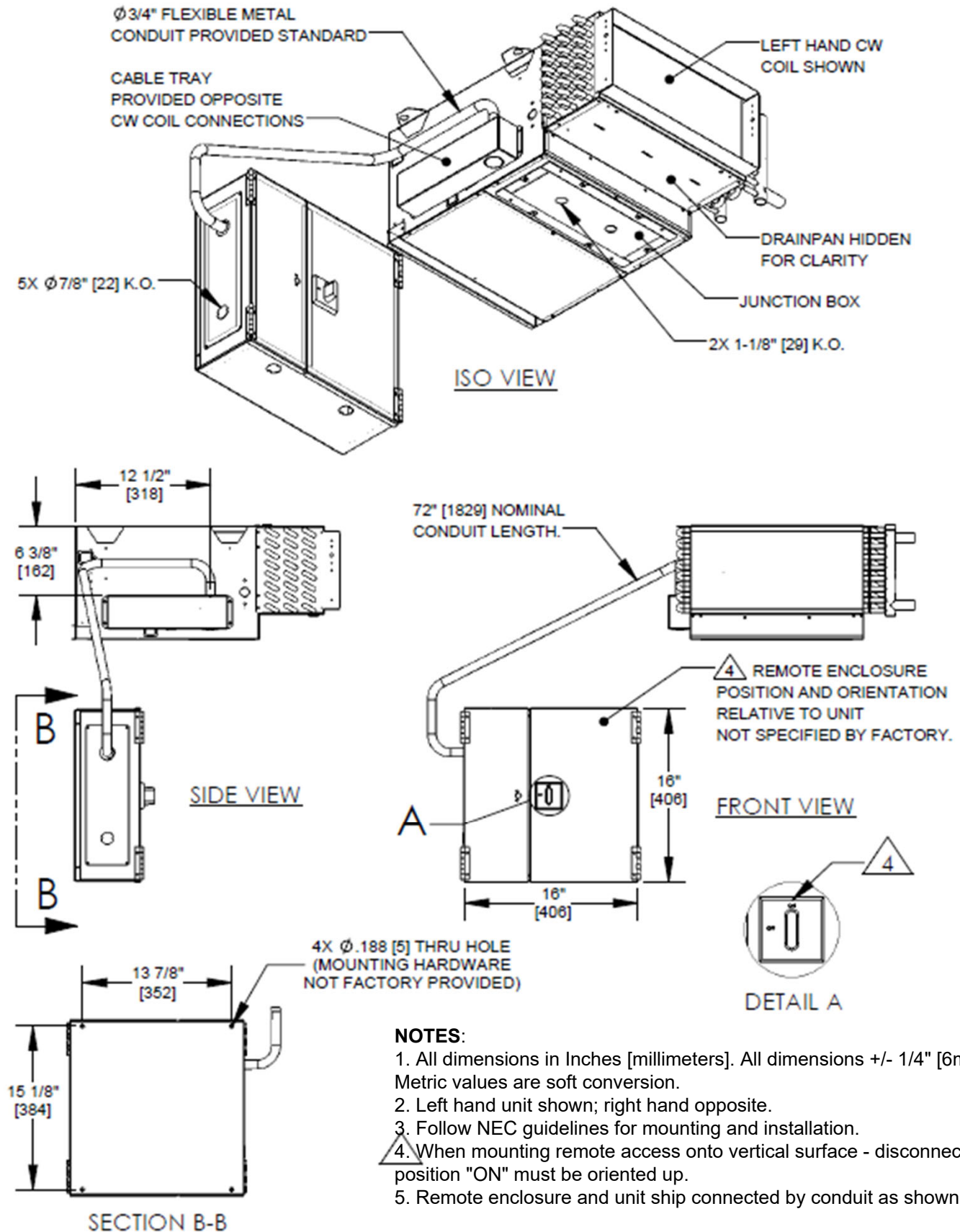
4 PIPE PRE-HEAT (LEFT HAND)

NOTES:

1. All dimensions are inches [millimeters] All dimensions 1/2 [13mm]. Metric values are soft conversion.
2. All drawings subject to change without notice.
3. Connection Size: Chilled Water: 5/8 ODM (1/2" NOM.) Hot Water: 5/8 ODM (1/2" NOM.)
4. See "Coil Connection Location" drawing for drain pan specifications.
5. Consult WebSelect selection summary for valve-package components and specifications.

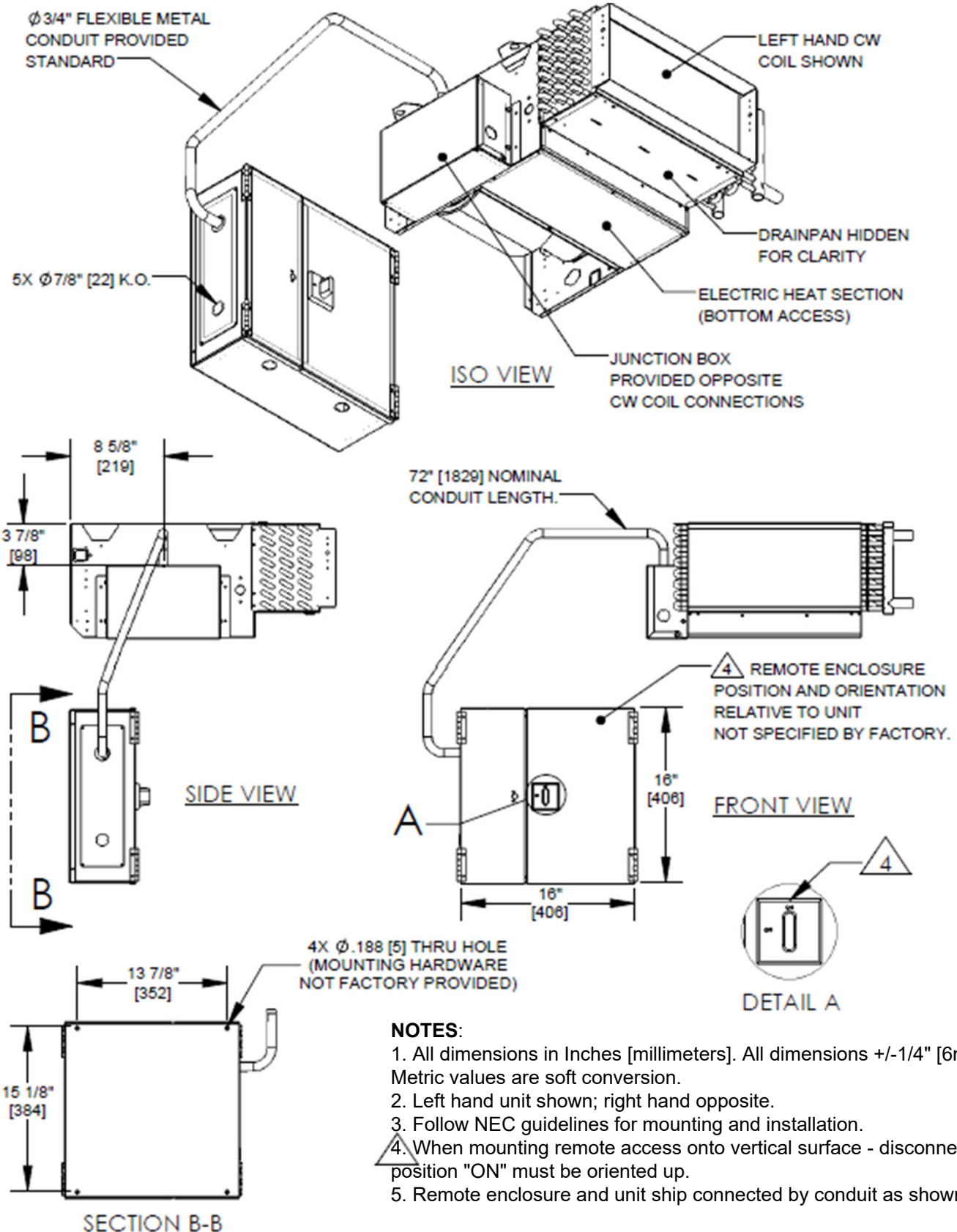
THBP Series A

Horizontal Low Profile Plenum Return (Remote Electrical Enclosure 16x16 W/O Electric Heat)



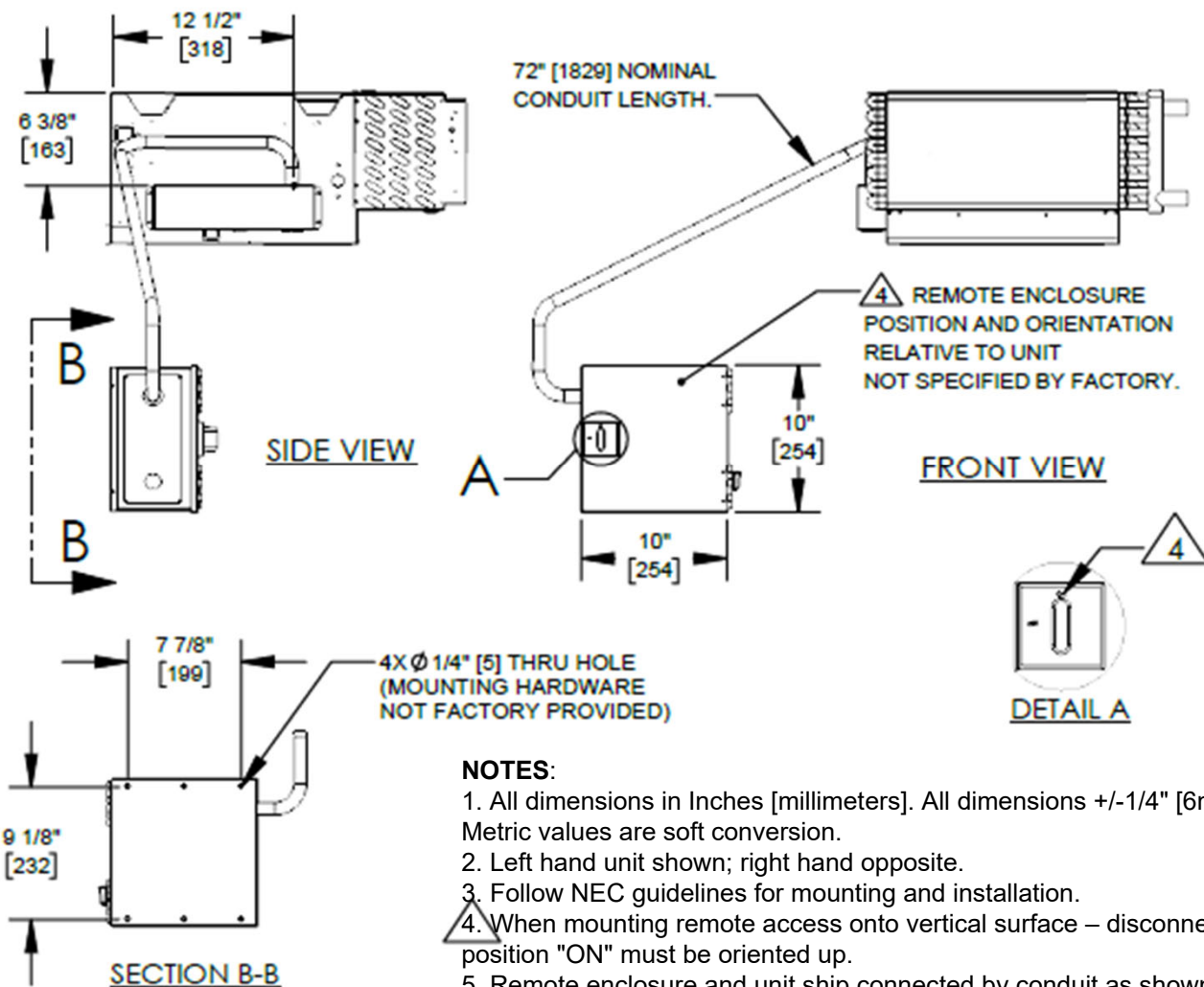
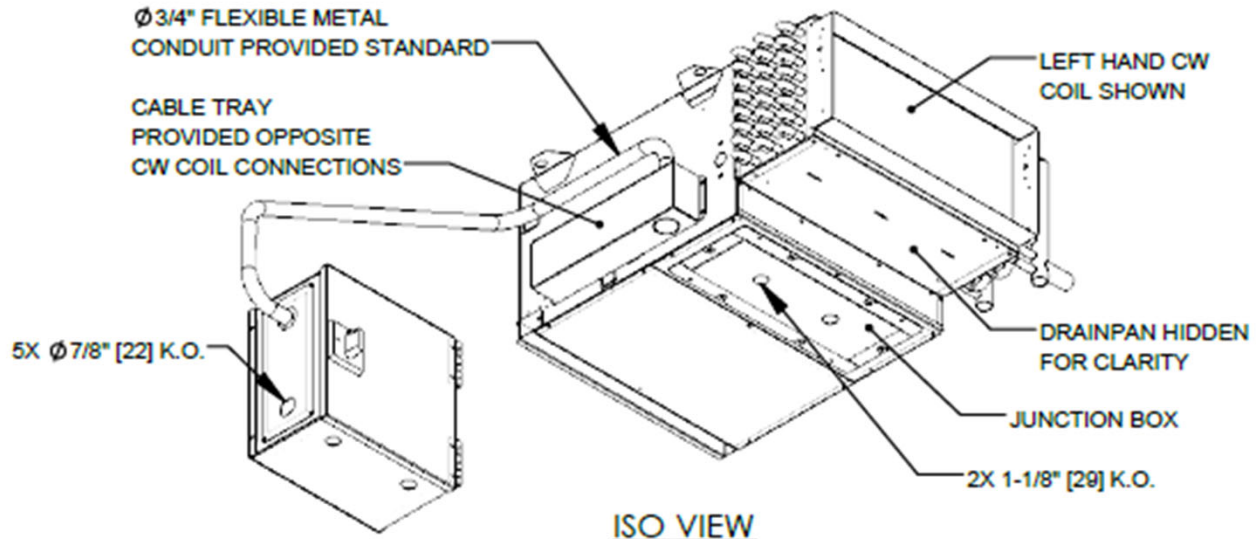
THBP Series A

Horizontal Low Profile Plenum Return (Remote Electrical Enclosure 16x16 W/ Electric Heat)



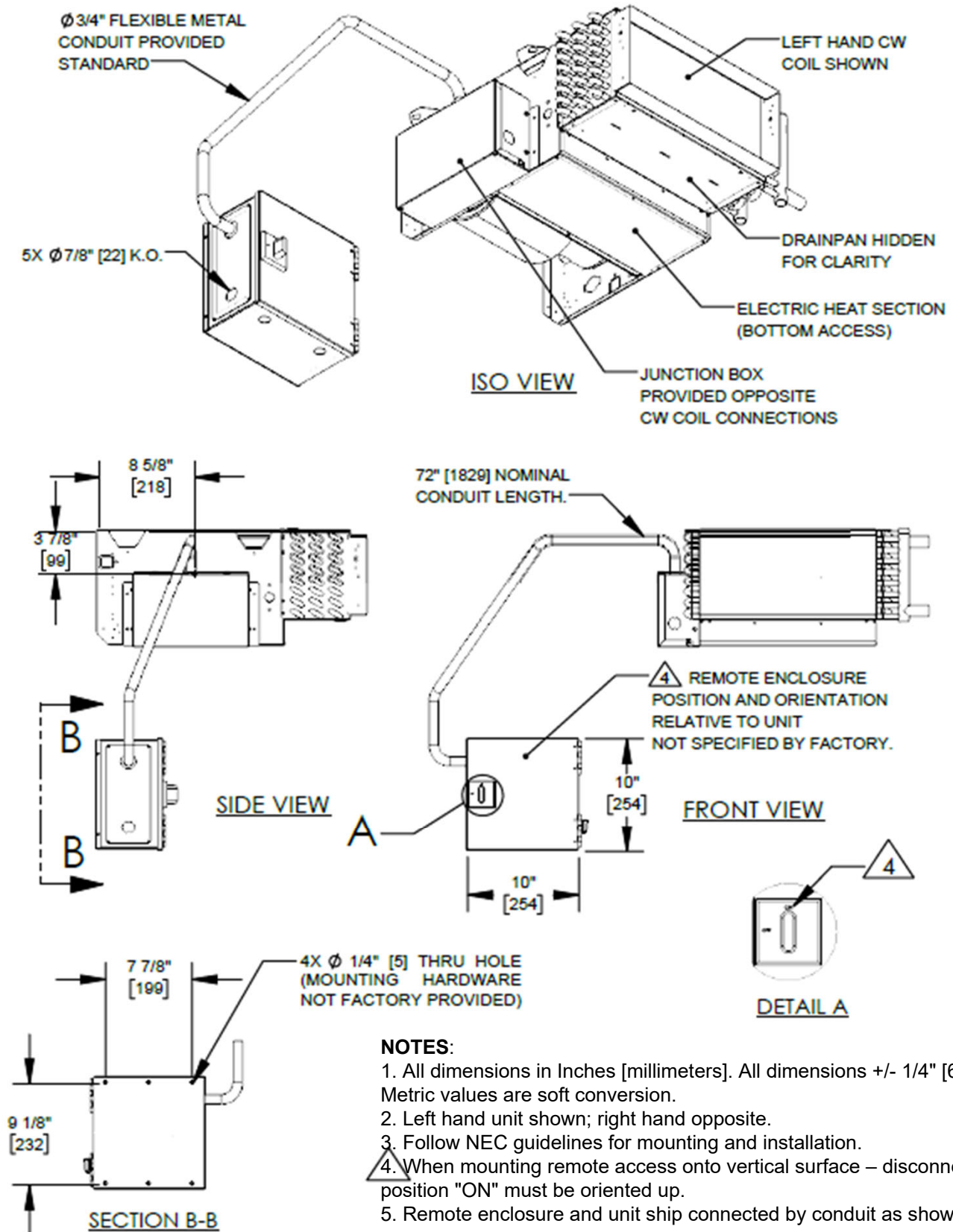
THBP Series A

Horizontal Low Profile Plenum Return (Remote Electrical W/O Electric Heat Enclosure 10x10)



THBP Series A

Horizontal Low Profile Plenum Return (Remote Electrical W/ Electric Heat Enclosure 10x10)



THBP Series A

Revision History

Revision Date	Version Date	Initiated By	Description
initial Release	11/16/20	J.Letterman	Initial release of series A units